



HIGH VACUUM RECTIFIER

A207

June 1960 Page 1

Service Type CV2160

INTRODUCTION

The A207 is a high vacuum rectifier with maximum ratings of 45kV peak inverse ← voltage and 1·1A peak anode current.

GENERAL DATA

(See also Preamble to Rectifier Section of this Catalogue)

Electrical

Filament	Thoriated Tungsten
Filament Voltage	4·0	V
Filament Current	12·0	A
Max Peak Inverse Voltage	45·0	kV ←
Max Anode Dissipation	130	W
Max Anode Current:								
Peak	1·1	A
Mean	350	mA
Nominal Impedance (at 300mA)	600	Ω

Mechanical

Overall Length	9·85 inches (250 mm)	Max
Overall Diameter	2·37 inches (60 mm)	Max
Net Weight	11 ounces (300 gm)	Approx
Base	Standard Goliath Screw (E40/45A)	
Mounting Position	Vertical, either way up	
Max temperature of bulb	200	°C

X-RAY WARNING

X-rays are produced when the A207 is operated with a peak inverse anode voltage above 16kV (absolute value). These rays can constitute a health hazard unless the valve is adequately shielded for X-ray radiation. This is entirely a function of high voltage devices and does not reflect upon the design of the valve.

← Indicates a change

ENGLISH ELECTRIC VALVE CO. LTD.
CHELMSFORD ESSEX, ENGLAND TECHNICAL PUBLICATIONS

Printed in England

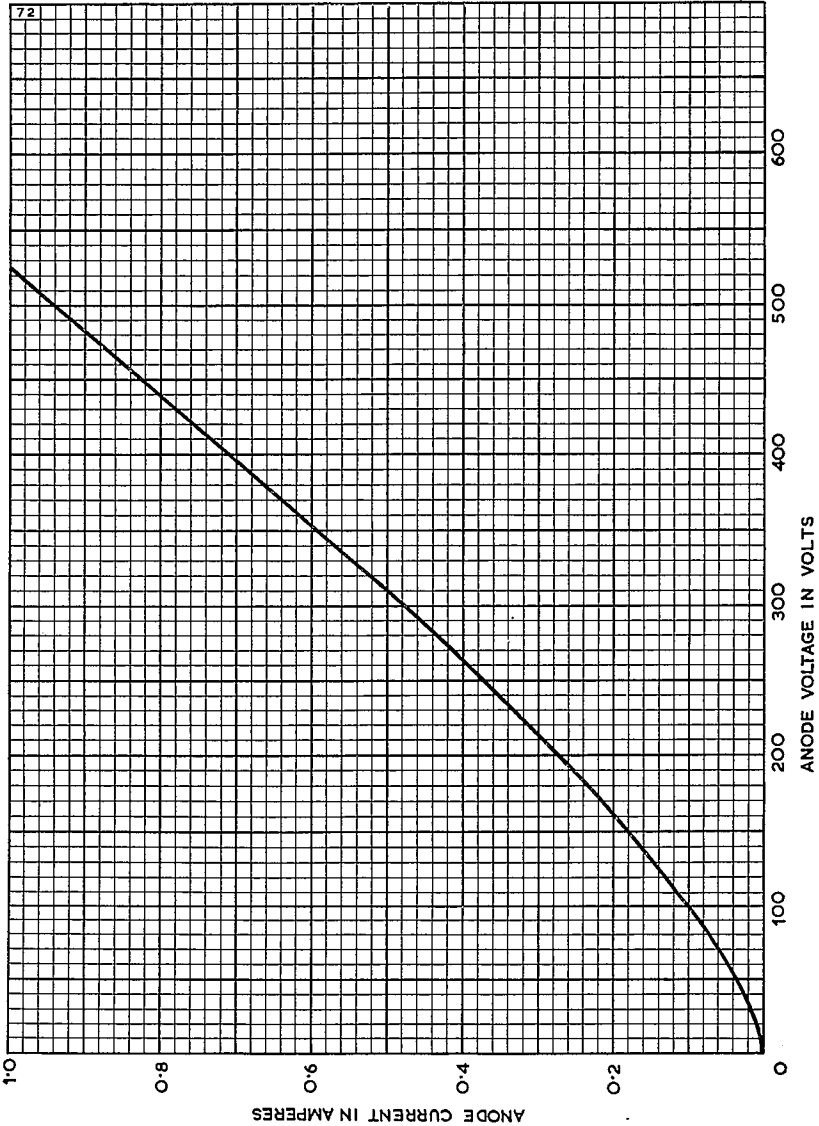


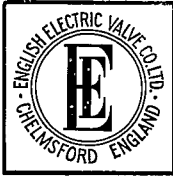
HIGH VACUUM RECTIFIER

A207

Page 2

ANODE CHARACTERISTIC





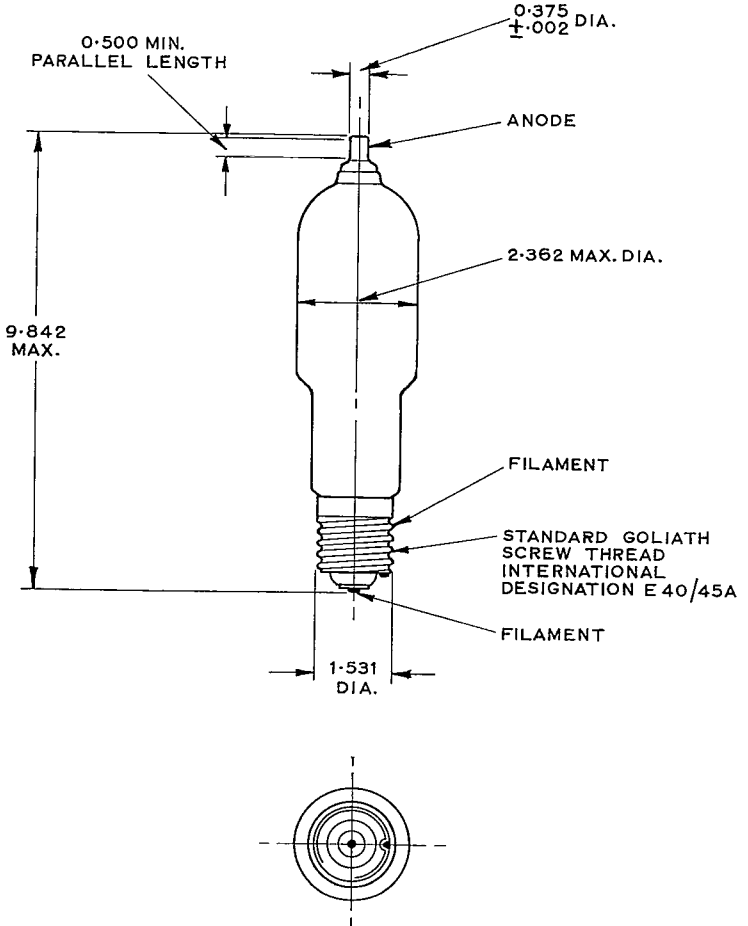
HIGH VACUUM RECTIFIER

A207

September 1959 Page 3

OUTLINE

563



ALL DIMENSIONS IN INCHES

ENGLISH ELECTRIC VALVE CO. LTD.
CHELMSFORD ESSEX, ENGLAND TECHNICAL PUBLICATIONS

Printed in England