

# Federal Telephone and Radio Corporation



VACUUM TUBE PRODUCTS • NEWARK 1, NEW JERSEY



## TYPE 7C26

High Vacuum Triode, Power Amplifier, Oscillator

### General Characteristics

#### Electrical

Filament Type	Thoriated Tungsten
Filament Voltage	9.0 volts
Filament Current	28.0 amperes
Average characteristics at $E_p=2000$ volts, $I_p=0.5$ amperes	
Mutual Conductance	20,000 umhos
Amplification Factor	17
Direct Inter-electrode Capacitances	
Grid-Plate	10.0 uuf
Grid-Filament	11.0 uuf
Plate-Filament	1.0 uuf
Frequency for Maximum Ratings	150 mc

#### Mechanical

Type of Cooling	Forced-air
Minimum Flow	75 CFM
Maximum Overall Dimensions	
Length	4.375 inches
Diameter	2.55 inches
Connections	See outline drawing
Mounting Position	Vertical

#### Maximum Ratings and Typical Operation

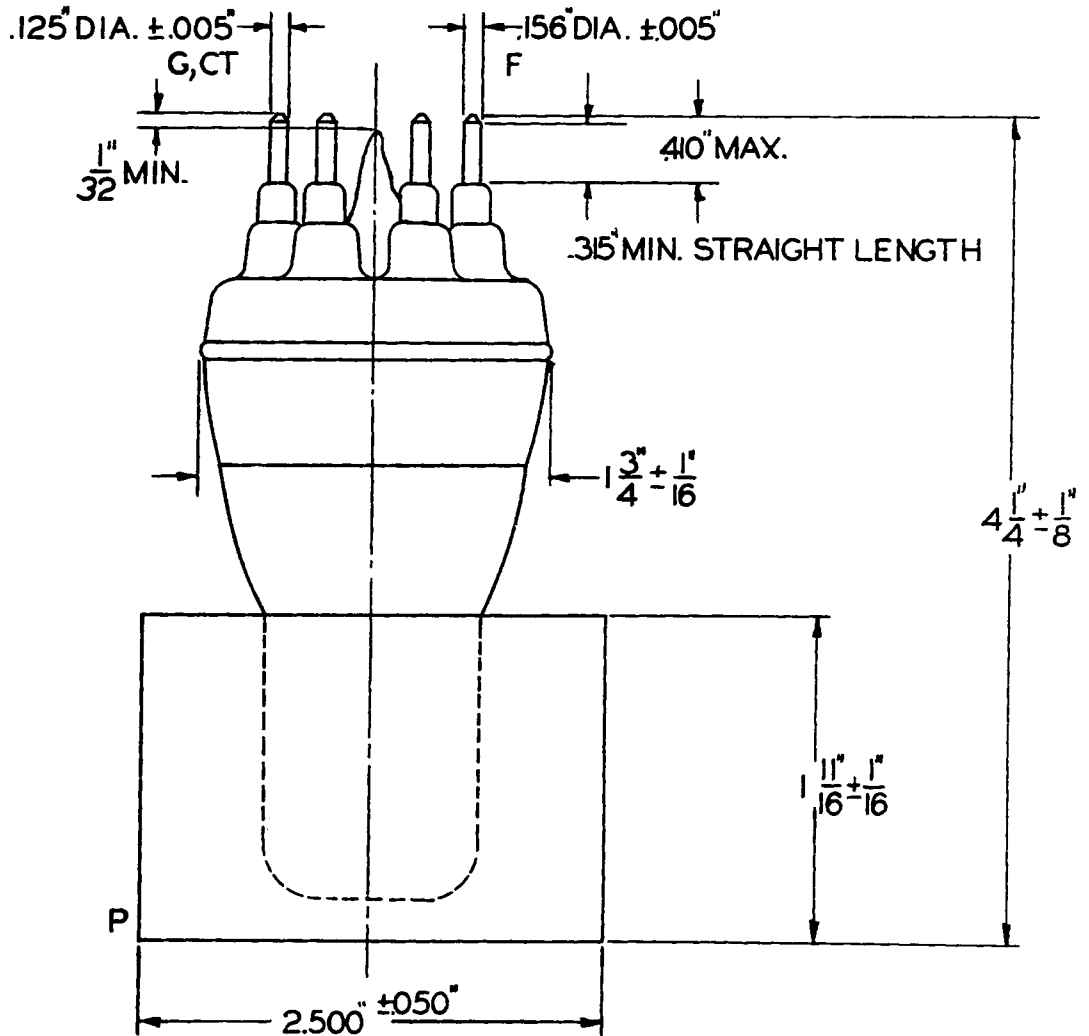
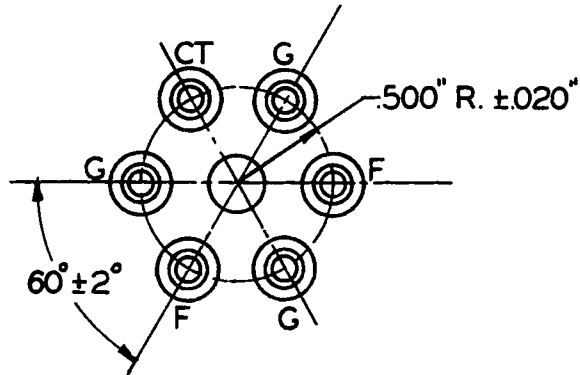
Class C R-F Power Amplifier and Oscillator  
(No Amplitude Modulation)

	<u>Typical Operation</u>	<u>Maximum Rating</u>	
D-C Plate Voltage	3,000	3,000	volts
D-C Plate Current	0.75	1.0	amperes
D-C Grid Voltage	-800	-800	volts
D-C Grid Current	0.100	0.100	amperes
Plate Input	2,250	3,000	watts
Plate Dissipation	680	1,000	watts
Power Output	1,570		watts
Frequency	110	150	mc

# Federal Telephone and Radio Corporation



VACUUM TUBE PRODUCTS - NEWARK 1, NEW JERSEY



7C26