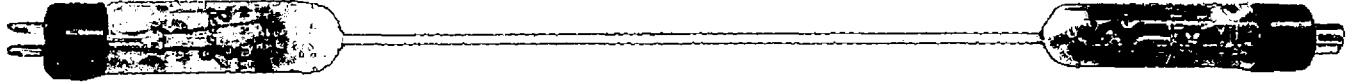


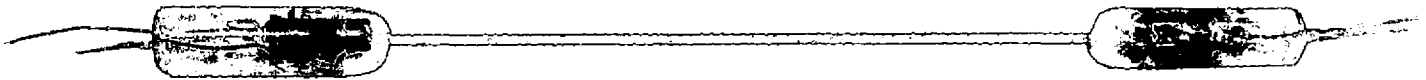


# GAS NOISE SOURCES - ARGON, K<sub>a</sub> BAND (26.5 40.0 G.C.)



**TD 76**

(7993)



**TD 77**

(8292)

### DESCRIPTION

These tubes are designed primarily for use as noise sources in milli-wave measurements. When used in standard mount assemblies, they function as untuned terminations over the entire recommended transmission bandwidths of the guide.

		Anode Current (Peak)	Anode Current (Av.)	Tube Voltage drop (Av.)	Tube Dissipation (Av.)	Starting Voltage	Starting Current	VSWR (Cold)	VSWR (Hot)	Ambient Temp. Range	Nr-1 Tube in Mount @ Rated Current
	OPR.	ma	mAdc	Vdc	WATTS	K. V.	mAdc			°C	
7993	DC	125	125	130	16	1.3 - 2.7	170	1.15	1.15	-55 to +85	16.0 ± 1db
8292	Pulse	150	100	175	18	2.0 - 3.0	170	1.15	1.15	-55 to +85	16.0 ± 1db

Electron Tube Products

**Red Bank Division**

Eatontown, New Jersey.



# GAS NOISE SOURCES - ARGON, K<sub>a</sub> BAND

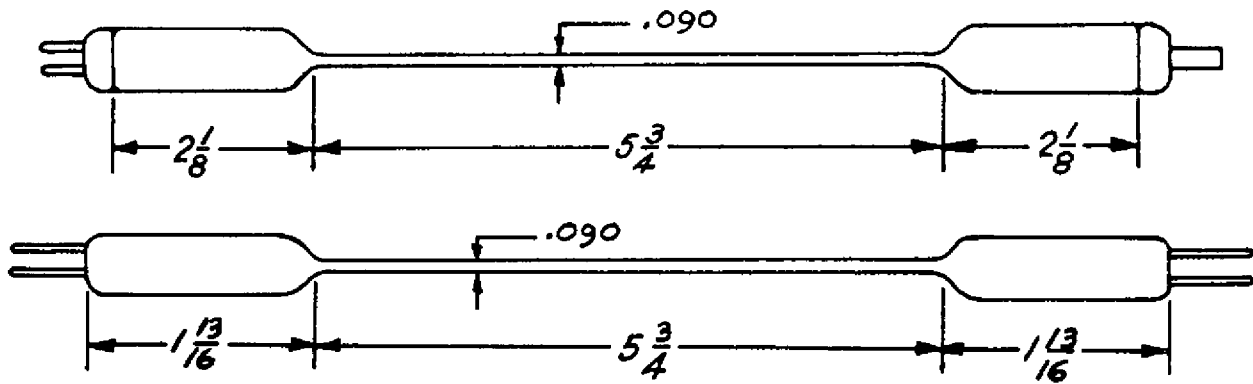


FIGURE 1: Outline Dimensions

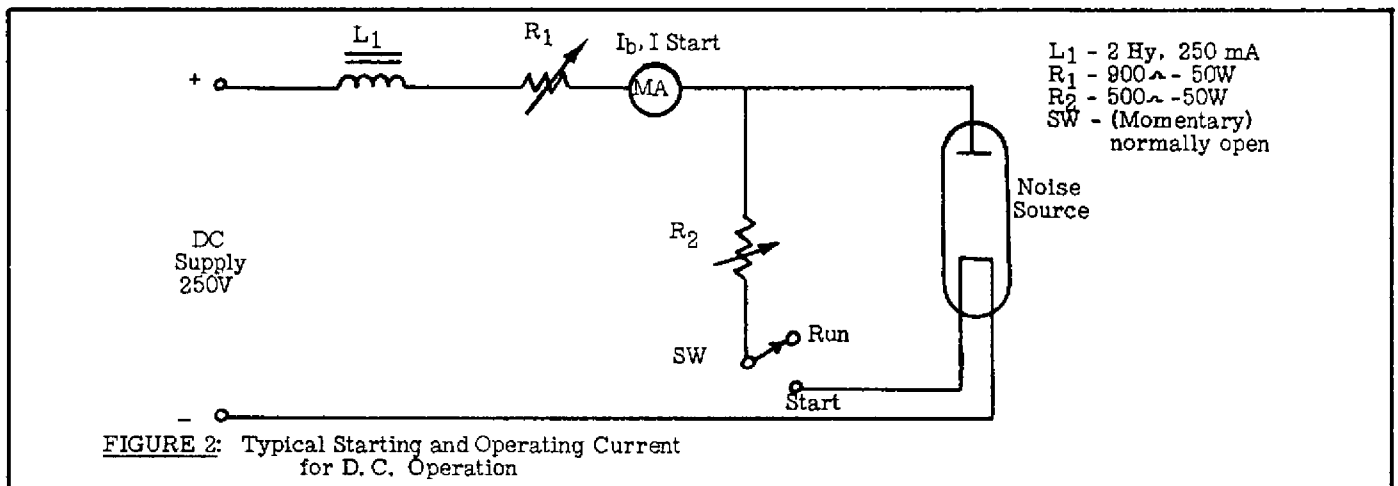


FIGURE 2: Typical Starting and Operating Current for D.C. Operation

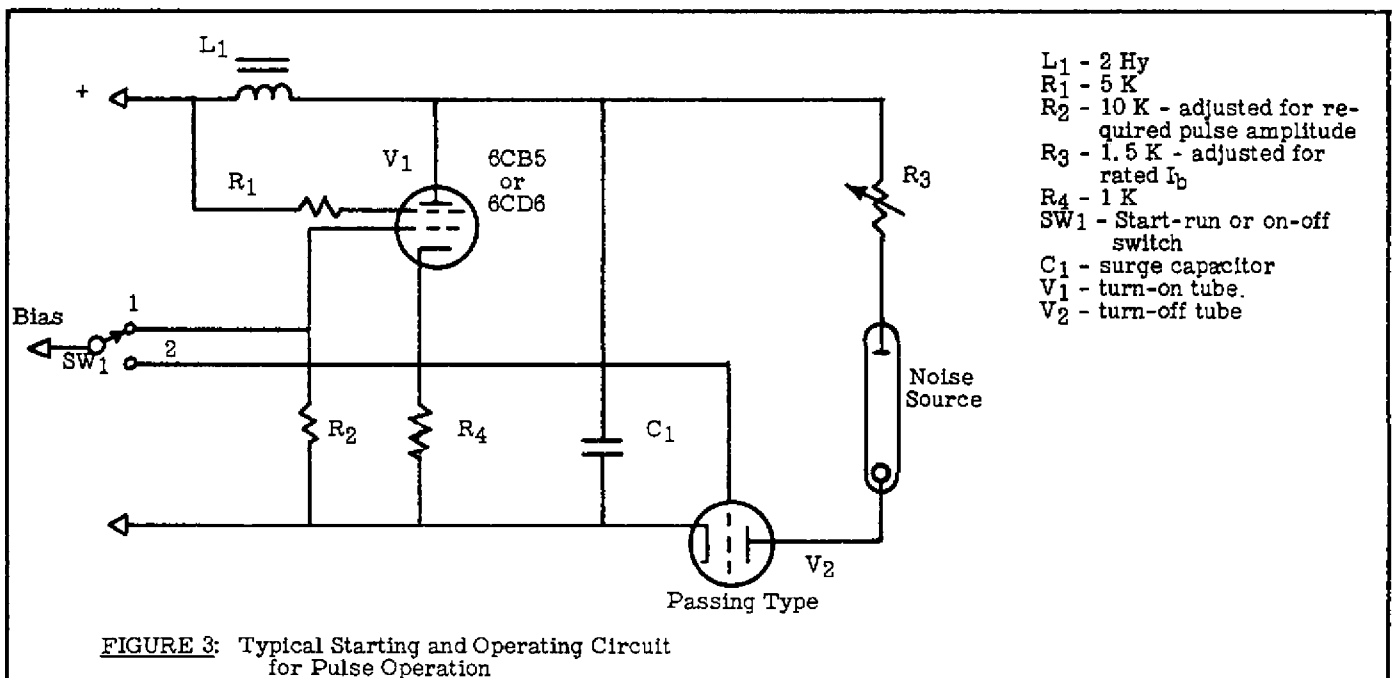


FIGURE 3: Typical Starting and Operating Circuit for Pulse Operation