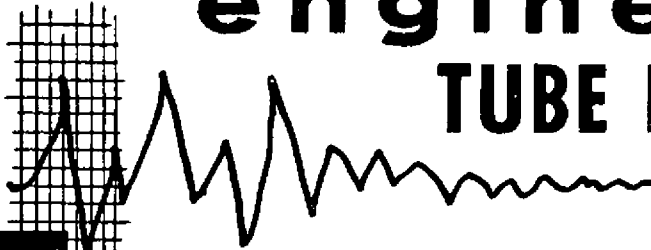


# engineering TUBE DATA

KUTHE  
TYPE 7603



*Components Division*

from JEDEC release #4079,  
Jan. 14, 1963

## CROWBAR THYRATRON

### DESCRIPTION:

THE TYPE 7603 IS A HYDROGEN THYRATRON DESIGNED FOR CROWBAR SERVICE. THIS TUBE IS EQUIPPED WITH A HYDROGEN RESERVOIR FOR MAXIMUM DEPENDABILITY. THIS TUBE WAS PREVIOUSLY DESIGNATED BY THE TYPE NUMBER KU-401.

### ELECTRICAL DATA, GENERAL:

	<u>NOM.</u>	<u>MIN.</u>	<u>MAX.</u>	
HEATER VOLTAGE	6.3	6.0	6.6	VOLTS AC
HEATER CURRENT (AT 6.3 VOLTS)		5.5	6.7	AMPERES
MINIMUM HEATING TIME			3	MINUTES

### MECHANICAL DATA, GENERAL:

MOUNTING POSITION	ANY
BASE	SEE OUTLINE
COOLING	NOT REQUIRED
NET WEIGHT	8 OUNCES
DIMENSIONS	PER OUTLINE

### RATINGS:

MAX. PEAK ANODE VOLTAGE, FORWARD, OPERATING	10.0	KILOVOLTS
MAX. PEAK ANODE VOLTAGE, INVERSE	8.0	KILOVOLTS
MIN. ANODE SUPPLY VOLTAGE	4.0	KILOVOLTS DC
MAX. PEAK ANODE CURRENT (NOTE 1)	200	AMPERES
AVERAGING TIME	10	SECONDS
MAX. DISCHARGE TIME (NOTE 1)	0.1	SECONDS
PEAK TRIGGER VOLTAGE (NOTE 2)		
MAX. ANODE DELAY TIME	1.0	MICROSECONDS
AMBIENT TEMPERATURE	-55° TO 75°	C



ELECTRON TUBE DEPARTMENT  
**COMPONENTS DIVISION**

INTERNATIONAL TELEPHONE AND TELEGRAPH CORPORATION

P. O. BOX 412, CLIFTON, NEW JERSEY

7/62

KUTHE  
TYPE 7603

- 2 -

NOTE 1:

THE ALLOWABLE TIME OF DISCHARGE VARIES WITH THE CURRENT AS SHOWN:

RECTIFIER SHORT CIRCUIT PERIOD	1.5	-	100 MS	5A
" " " "	1.5	-	50 MS	10A
" " " "	1.5	-	30 MS	25A
FILTER DISCHARGE	0	-	1.5 MS	200A

TIME WILL BE MEASURED FROM THE INITIATION OF THE DISCHARGE.

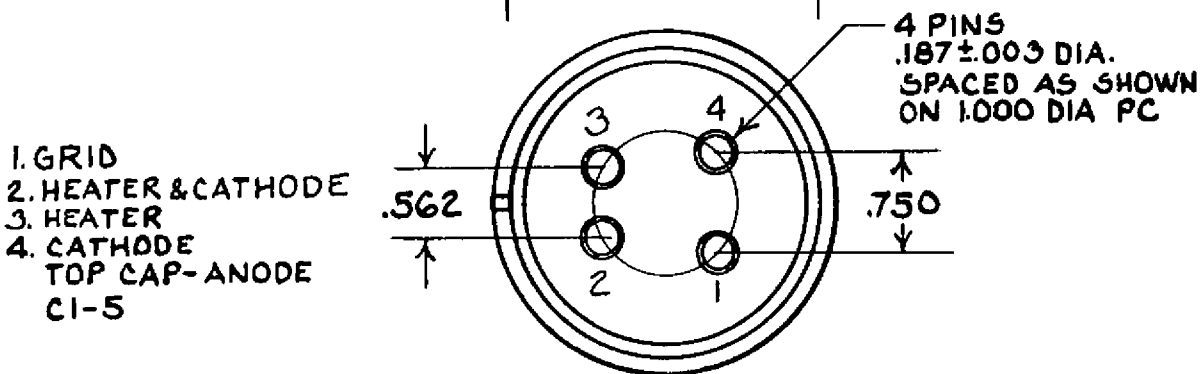
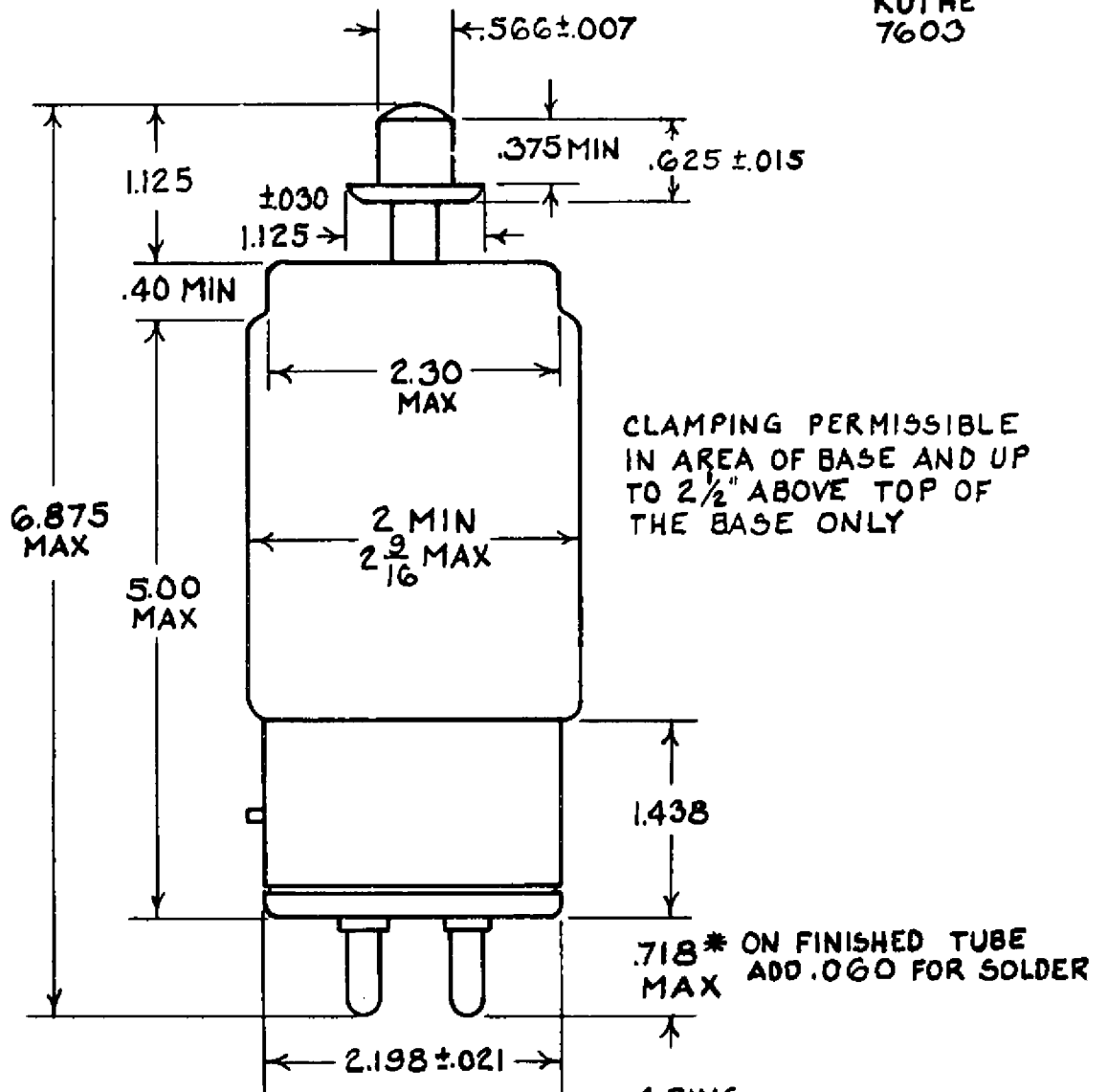
NOTE 2:

THE TRIGGER PULSE MEASURED AT THE TUBE SOCKET WITH THE THYRATRON GRID DISCONNECTED SHALL BE: EGY = 175 VOLTS MINIMUM, 1,000 VOLTS MAXIMUM; TIME OF RISE = 0.5 US (MAX.); TP = 2.0 US MINIMUM; IMPEDANCE OF TRIGGER CIRCUIT 50 - 1,500 OHMS.

ADDITIONAL INFORMATION FOR SPECIFIC APPLICATIONS CAN BE OBTAINED FROM THE -

ELECTRON TUBE APPLICATIONS SECTION  
ITT COMPONENTS DIVISION  
POST OFFICE BOX 412  
CLIFTON, NEW JERSEY

KUTHE  
7603



SUPER JUMBO 4-PIN WITH BAYONET  
A4-18 MIL-E-1D WITH CERAMIC INSERT