

SECURITY CLASSIFICATION: ~~CONFIDENTIAL~~

Type 2K33

CLASSIFICATION CANCELLED, BY AUTHORITY
OF THE CHIEF SIGNAL OFFICER, BY G. A. OSMUNDSEN,
Captain, Signal Corps, 18/2/46

Velocity Modulation Amplifier/Oscillator

GENERAL CHARACTERISTICS

ELECTRICAL

Voltage		6.3 volts
Current		.65 amps.
Frequency	Variable	1.25 ± 10% Cm
Ec1		1800 Volts
Ec2		1800 volts
Ec3		1800 volts
Repeller Voltage		-200 volts
Power Output		20 milliwatts

Mechanical

Tuner Base Connection
Standard Octal Base
Pin 1 - Cathode
2 - Heater
3 - N.C.
4 - N.C.
5 - N.C.
6 - N.C.
7 - Heater
8 - Grid #1

See outline drawing
for other mechanical
details

Maximum Ratings

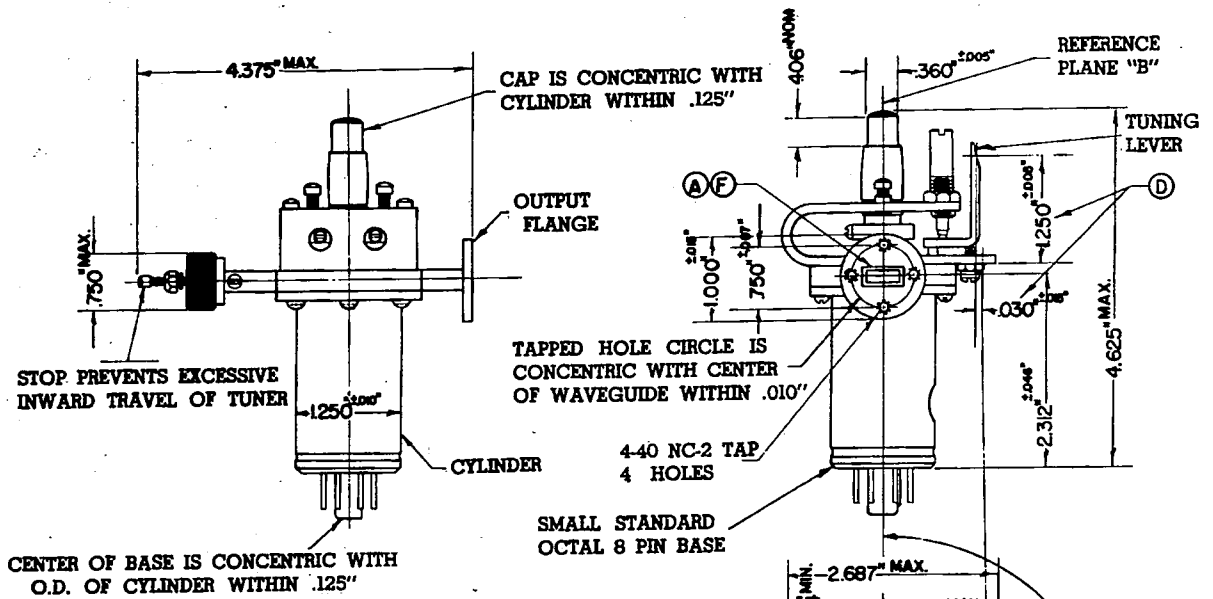
Power Input	20 watts
Dissipation	20 watts

Sponsor: Raytheon Manufacturing Company, Power Tube Division

from RMA release # 478, March 20, 1946

March 20, 1946

TYPE 2K33



- (A) OUTPUT WAVEGUIDE— COMMERCIAL RECTANGULAR TUBING $\frac{1}{4}$ " x $\frac{1}{2}$ " OUTSIDE DIMENSIONS x .040 WALL THICKNESS.
- (B) APPLIES TO LOCATION OF KEYWAY ON BASE LUG WITH RESPECT TO CENTER OF WAVEGUIDE MEASURED AT FLANGE END.
- (C) INCLUDES LATERAL AND ANGULAR DEVIATIONS OF OUTER SURFACE OF FLANGE.
- (D) INDICATES POINT ON TAPERED PORTION OF TUNING LEVER WHERE TUNING DEVICE MAKES CONTACT WITH LEVER AND IS LOCATED WITH RESPECT TO PLATE HOLES AS SHOWN.
- (E) APPLIES TO DISTANCE BETWEEN HOLE AND CENTER OF TUNING LEVER ONLY.
- (F) CENTER OF WAVEGUIDE PARALLEL TO SHORT DIMENSION IS WITHIN .20" OF REFERENCE PLANE "B".

