

Security Classification: Confidential

Type 2J33
MAGNETRON

GENERAL CHARACTERISTICS

Electrical

Cathode	Coated Unipotential
Filament voltage	6.3 volts
Filament current	1.5 amps
Frequency	2760 \pm 20 Mc
Field Strength	1900 gauss
Peak Anode Voltage	20,000 volts
Power output at 30 amperes .001 duty cycle	240 watts

Mechanical

Maximum Dimensions - see outline drawing
Base Connections - see outline drawing
Mounting Position - any

Maximum Ratings (Peak values for duty cycle specified)

Duty Cycle *	.002
Anode voltage	22,000 volts
Anode current	30 amps
Anode Dissipation	350 watts

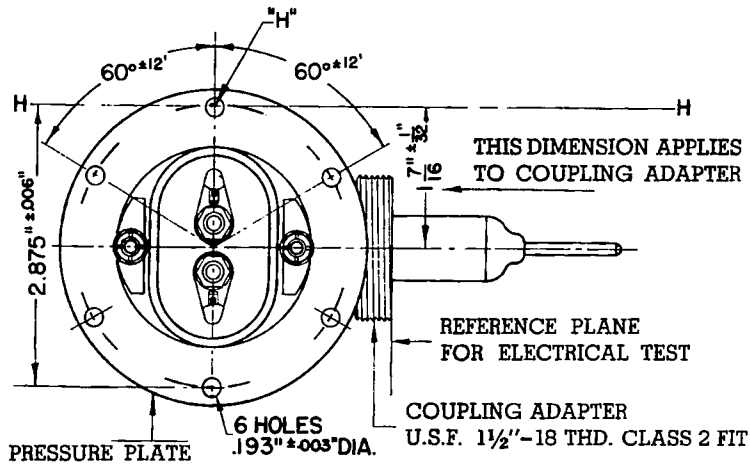
* In any 100 microsecond interval the tube shall not be operated more than 5 microseconds.

Sponsor: Raytheon Manufacturing Company - Power Tube Division

From RMA release # 366, May 20, 1944

TECHNICAL INFORMATION
MAGNETRON OSCILLATOR

OUTLINE DRAWING



LINE H-H IS THE CENTERLINE OF REFERENCE HOLE "H."

SOLDERED JOINTS IN THE PRESSURE PLATE ARE VACUUM TIGHT SO THAT IT MAY BE USED TO PROVIDE A HERMETIC SEAL. ALL POINTS ON REFERENCE SURFACE ARE FLAT TO WITHIN .010" FOR ½" IN FROM OUTER EDGE.

COMMON HEATER-CATHODE CONNECTION INDICATED BY LETTER "C"

TWO HEX. HD. PIN JACKS 19/32" LONG, LOCATED WITHIN A RADIUS OF .023" OF THE LOCATION SPECIFIED. WILL FIT STANDARD G. R. NO. 274 BANANA PINS

