



1B25

PROTECTIVE TUBE

(TENTATIVE DATA)

The 1B25 is designed for use as a protective tube. Normal variations in ambient temperature have negligible effect on the tube's performance.

INTERELECTRODE CAPACITANCE (Approx.)
 DIMENSIONS
 MOUNTING
 MOUNTING POSITION
 TERMINALS

1.35 μf
 See *OUTLINE DRAWING*
 Special
 Any
 Cap and Flange

Maximum Rating Is Design-Center Value

MAXIMUM RATING

D-C CONDUCTION CURRENT

30 max. Ma.

TEST CHARACTERISTICS

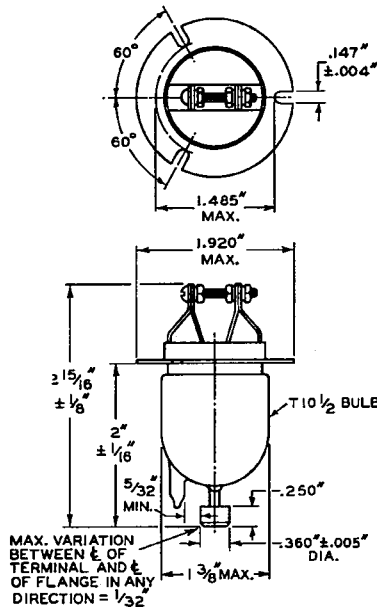
D-C BREAKDOWN VOLTAGE (Tube cold)*
 TUBE VOLTAGE DROP**

160 max. Volts
 120 Volts

* A somewhat higher supply voltage will be required for breakdown when a steep voltage front is used.

**With d-c conduction current of 30 ma.

NOTE: The energy dissipated in the tube should not be sufficient to establish a sustained arc.



92C-6332