

19CJP4

Television Picture Tube

PHILCO CORPORATION - LANSDALE DIVISION

CATHODE RAY TUBE

DATA SHEET

Tentative

Description

The 19CJP4 is a directly viewed, rectangular glass picture tube having an aluminized screen. Other features include a relatively flat envelope, compound radius faceplate, a special internal contouring in the deflection yoke region to obtain 114° deflection with 110° components.

A short improved electron gun requiring no ion trap magnet and which also improves edge focus quality is also incorporated as well as external conductive coating and a new short integral glass button base having straight thru leads and an indexing lug.

Electrical Data

Focusing Method	Electrostatic
Deflecting Method	Magnetic
Deflection Angle, approximate	
Horizontal	102 Degrees
Vertical	85 Degrees
Diagonal	114 Degrees
Direct Interelectrode Capacitance, approximate	
Cathode to All.	4 uuf
Grid #1 to All.	5 uuf
External Coating Capacitance.	1300 Min. uuf 1700 Max. uuf
Heater Voltage.	6.3 Volts
Heater Current at 6.3 Volts	600 \pm 30 ma.
Heater Warm-up Time (Note 1)	11 Seconds

Optical Data

Phosphor Number	Aluminized P4
Fluorescent Color	White
Persistence	Medium Short
Faceplate	
Light Transmission at Center, approximate	78 Percent

Mechanical Data

Overall Length	11 5/16+1/4-3/16	Inches
Neck Length.	4 1/8+1/16-1/8	Inches
Greatest Dimensions of Bulb		
Diagonal	18 5/8 [±] 1/8	Inches
Width.	16 13/32 [±] 1/8	Inches
Height	13 11/32 [±] 1/8	Inches
Minimum Useful Screen Dimensions	172 Sq.	Inches
(maximum assured dimensions)		
Diagonal	17 9/16	Inches
Width	15 1/8	Inches
Height	12	Inches
Bulb	J149A2	
Base	B7-208	
Basing	8HR	
Anode Contact.	J1-21	
Anode Contact Aligns with Pin #4 [±] 30°		

GRID DRIVE SERVICE

Voltages are positive with respect to cathode unless indicated otherwise.

Maximum Ratings (Design Maximum Values)

Anode Voltage (Note 2)	20,000 Max.	Volts DC
Grid #4 Voltage.	-550 Min. to +1100 Max.	Volts DC
Grid #2 Voltage.	200 Min. to 550 Max.	Volts DC
Grid #1 Voltage		
Negative-Bias Value.	154 Max.	Volts DC
Negative-Peak Value.	220 Max.	Volts
Positive-Bias Value.	0 Max.	Volts DC
Positive-Peak Value.	2 Max.	Volts
Peak-Heater-Cathode Voltage		
Heater Negative with Respect to Cathode		
During Warm-up Period not to Exceed		
15 Seconds	450 Max.	Volts
After Equipment Warm-up Period	200 Max.	Volts
Heater Positive with Respect to Cathode.	200 Max.	Volts

Typical Operating Conditions

Anode Voltage	16,000	Volts DC
Grid #4 Voltage for Focus.	0 to 400	Volts DC
Grid #2 Voltage.	400	Volts DC
Grid #1 Voltage (Note 3)	-65 to -105	Volts DC

Maximum Circuit Values

Grid #1 Circuit Resistance	1.5 Max.	Megs
--------------------------------------	----------	------

CATHODE DRIVE SERVICE

Voltages are positive with respect to Grid #1 unless indicated otherwise.

Maximum Ratings (Absolute Maximum Values)

Anode Voltage (Note 2)	20,000 Max. Volts DC
Grid #4 Voltage	-400 Min. to +1250 Max. Volts DC
Grid #2 Voltage	.350 Min. to 700 Max. Volts DC
Cathode Voltage	
Positive-Bias Value	154 Max. Volts DC
Positive-Peak Value	220 Max. Volts
Negative-Bias Value	0 Max. Volts DC
Negative-Peak Value	2 Max. Volts
Peak-Heater-Cathode Voltage	
Heater Negative with Respect to Cathode	
During Warm-up Period not to Exceed	
15 Seconds	450 Max. Volts
After Equipment Warm-up Period	200 Max. Volts
Heater Positive with Respect to Cathode	200 Max. Volts

Typical Operating Conditions

Anode Voltage	.16,000 Volts DC
Grid #4 Voltage for Focus	0 to 400 Volts DC
Grid #2 Voltage	400 Volts DC
Grid #1 Voltage	0 Volts DC
Cathode Voltage (Note #3)	+56 to +84 Volts DC

Maximum Circuit Values

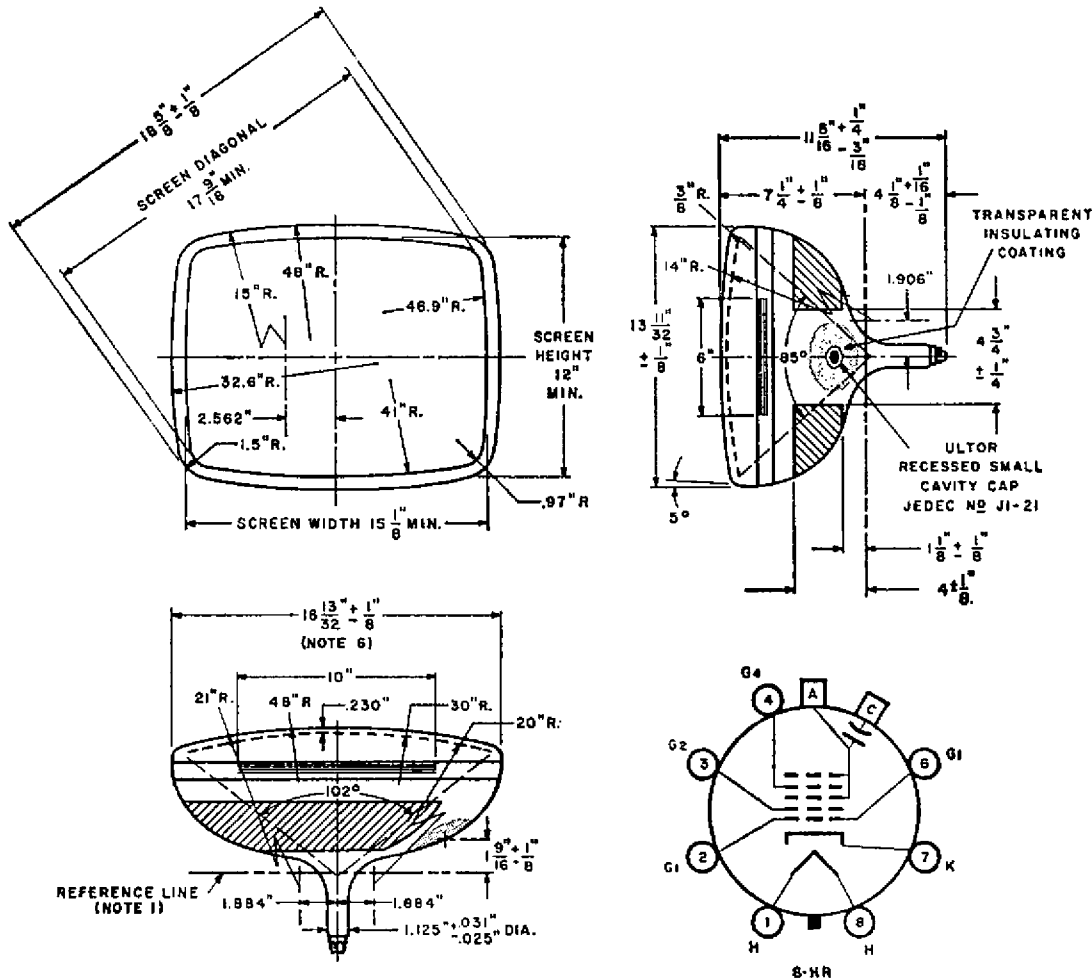
Grid #1 Circuit Resistance	1.5 Max. Megs
----------------------------	---------------

Notes

1. Heater warm-up time is defined as the time required for the voltage across the heater to reach 80% of its rated value after applying 4 times rated heater voltage to a circuit consisting of the tube heater in series with a resistance equal to 3 times the rated heater voltage divided by the rated heater current.
2. Anode, Grid #3 and Grid #5 are connected together within the tube and are referred to herein as anode.
3. For visual extinction of the focused raster. For cutoff of the undeflected focus spot, the absolute value of the bias between cathode and grid will increase by about 5 volts.

PHILCO CORPORATION - LANSDALE DIVISION

Outline Drawing
19CJP4
Television Picture Tube



MECHANICAL NOTES

1. The reference line is determined by reference line gauge JEDEC #126.
2. The area around the button is covered with an insulating coating.
3. Socket for this base should not be rigidly mounted; it should have flexible leads and be allowed to move freely. The design of the socket should be such that the circuit wiring cannot impress lateral strains through the socket contacts on the base pins. Bottom circumference of the base wafer will fall within a circle concentric with bulb axis and having a diameter of $13\frac{3}{4}$ inches.

WARNING

X-ray radiation shielding may be necessary to protect against possible danger of personal injury from prolonged exposure at close range if this tube is operated at anode voltages higher than 16,000 volts.