

TELEVISION PICTURE TUBE TYPE 14AWP4

90° Magnetic Deflection
 Rectangular Glass
 Aluminized
 Gray Filter Glass

Low G₂ Voltage (50 Volts)
 6.3 Volts, 0.45 Amp. Heater
 Cathode Drive Design
 Electrostatic Focus

External Conductive Coating
 Spherical Faceplate
 No Ion Trap
 12-1/16" x 9-1/2" Picture

ELECTRICAL:

Cathode	Coated Unipotential
Heater:	
Voltage (ac or dc)	6.3 Volts
Current	0.45 Ampere
Direct Interelectrode Capacitances:	
Grid 1 to all other Electrodes	6 uuf
Cathode to all other Electrodes	5 uuf
External Conductive Coating:	
Maximum	1200 uuf
Minimum	800 uuf
Screen:	
Phosphor	Aluminized P4
Fluorescence	White
Persistence	Short
Focusing Method	Electrostatic
Deflection Method	Magnetic
Horizontal Angle, approx.	85°
Vertical Angle, approx.	68°
Diagonal Angle, approx.	90°
No Ion Trap Gun	No Magnet Required

MECHANICAL:

Mounting Position	Any
Screen Dimensions:	
Height	9-1/2" Min.
Width	12-1/16" Min.
Diagonal	13" Min.
Face Plate	Spherical Outer and Inner Surfaces
Glass	Neutral Filter
Transmission	74 per cent
Bulb Dimensions:	
Height	10-9/16" ± 1/8"
Width	13-1/16" ± 1/8"
Diagonal	14" ± 1/8"
Overall Length	13-3/16" ± 3/8"
Net Weight, approx.	8 Pounds
Anode Terminal	Recessed Small Cavity Cap (JETEC J1-21)
Base	Small Shell Duodecal 6-Pin (JETEC B6-63)

MAXIMUM RATINGS, Cathode Drive Service:

Design Center Values		
Anode Voltage*	14000 max.	Volts
Grid 4 to Grid 1 Voltage:		
Positive Value	1000 max.	Volts
Negative Value	500 max.	Volts
Grid 2 to Grid 1 Voltage	68 max.	Volts
Cathode to Grid 1 Voltage:		
Positive Bias Value	140 max.	Volts
Negative Peak Value	0 max.	Volts
Peak Heater-Cathode Voltage:		
Heater Negative with Respect to Cathode:		
During Warmup Period of 15 sec. max.	410 max.	Volts
After Equipment Warmup Period	180 max.	Volts
Heater Positive with Respect to Cathode. .	180 max.	Volts

TYPICAL OPERATING CONDITIONS, Cathode Drive Service:

Anode Voltage	12000	14000	Volts
Grid 4 to Grid 1 Voltage	-50 to +350	0 to +400	Volts
Grid 2 to Grid 1 Voltage	50	50	Volts
Cathode to Grid 1 Voltage for			
Raster Cutoff Δ	32 to 47	32 to 47	Volts

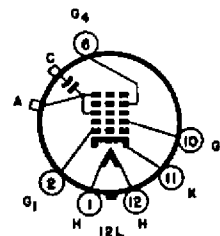
LIMITING CIRCUIT VALUES:

Grid 1 Circuit Resistance	1.5 max.	Megohms
Grid 2 Circuit Resistance**	0.1 min.	Megohms
Grid 4 Circuit Resistance**	0.1 min.	Megohms

* Brilliance and definition decrease with decreasing anode voltage. In general, anode voltage should not be less than 12000 volts.

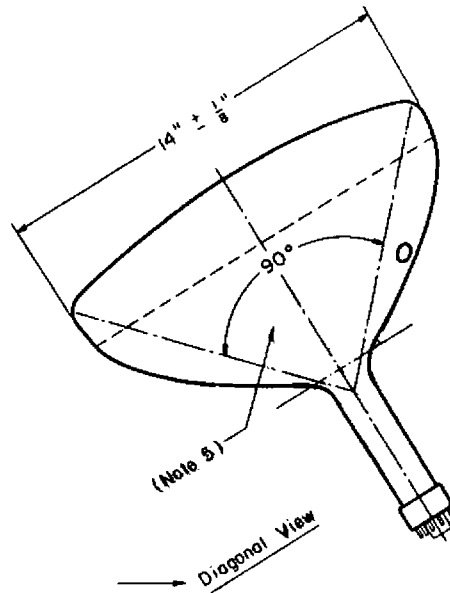
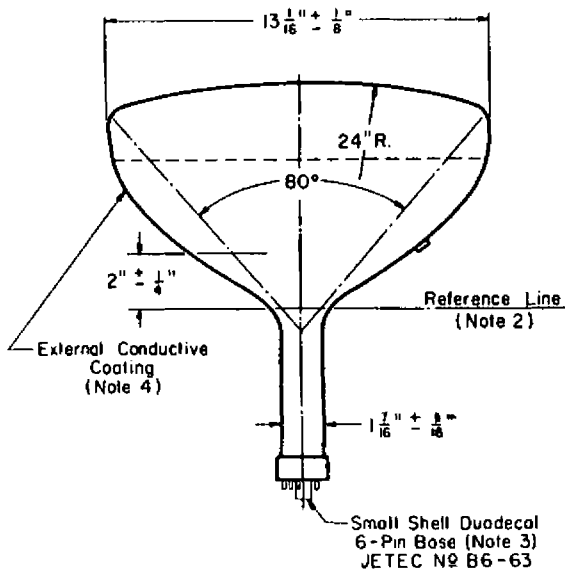
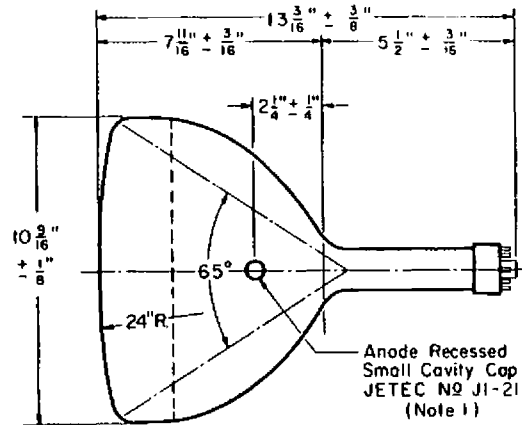
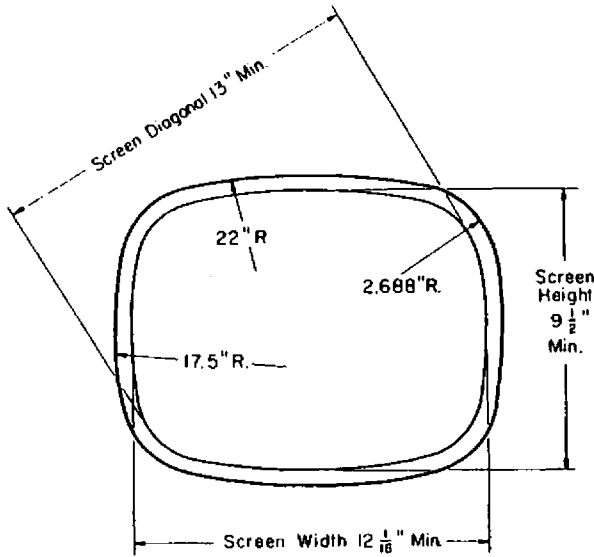
**Protective resistance in the G₂ and G₄ circuits is advisable to prevent damage to the tube.

Δ Raster size 9-1/2" x 12-1/16"



Bottom View
 A - Grids 3 & 5, Collector.
 C - External Conductive Coating

from JETEC release #2127, March 10, 1958



CE-A1288

NOTE 1: The plane through the tube axis and the base pin No. 6 may vary from the plane through the tube axis and the bulb terminal by an angular tolerance of $\pm 30^\circ$ measured about the tube axis. The bulb terminal is on the same side of the tube as pin No. 6.

NOTE 2: With the tube neck inserted through the flared end of REFERENCE-Line Gauge (JETEC No. 116) and with the tube seated in the gauge, the reference line is determined by the intersection of the plane cc' (face of the flared end) of the gauge with the glass funnel.

NOTE 3: The socket should not be mounted rigidly but it should be allowed to move freely and it should have flexible leads. The bottom circumference of the base shell will lie within a circle concentric with the bulb axis and having a diameter of 2 3/4".

NOTE 4: External conductive coating must be grounded.

NOTE 5: Contact area of external conductive coating 2" min. x 2" min. located 2" \pm 1/4" from Reference Line 90° counterclockwise from anode button as viewed from base end of tube.