

EDISWAN

EHA.2500

FORCED AIR COOLED TRIODEGENERAL

The EHA 2500 is a three electrode valve designed for use as a Radio Frequency Amplifier or Oscillator. The anode is fitted with a special radiator and cooling is obtained by forced air.

As the design minimises lead inductance, this valve is particularly suitable for H.F. applications.

RATING

Filament Voltage (volts)	V _f	8.0
Filament Current (amps)	I _f	80.0
Maximum Anode Voltage (volts)	V _{a(max)}	7,500
Average Maximum Filament Emission (amps)	F _{em}	4.5
Maximum Anode Dissipation (kW)	W _{a(max)}	2.5
Mutual Conductance (mA/V)	g _m	• 5.5
Amplification Factor	μ	• 55.0
Anode Impedance (ohms)	r _a	• 10,000
Maximum Operating Frequency at full rating		† 40 Mc/s

- Taken at V_a = 7,000v; I_a = 400mA.

† At higher frequencies the maximum permissible anode voltages and inputs must be reduced.

INTER-ELECTRODE CAPACITANCES

Anode/Grid (μμF)	C _{a-gl}	11.0
Anode/Filament (μμF)	C _{a-f}	1.0
Grid/Filament (μμF)	g _{l-f}	12.0

AIR FLOW

200 cubic feet per minute. 15 cubic feet per minute on to seals. When the valve is mounted with glass end up arrangements should be made to draw the cooling air through the radiator. If this is not possible it is recommended that the valve should be mounted with the glass end down and the leads passed through the sides of a special supporting cylinder. The outline drawing of this cylinder is shown on the next page and can be supplied.

DIMENSIONS

Maximum Overall Length (mm)	240
Maximum Diameter (mm)	150
Approximate Nett Weight (lbs)	13.0
Approximate Packed weight (lbs)	54.0

MOUNTING POSITION - Vertical

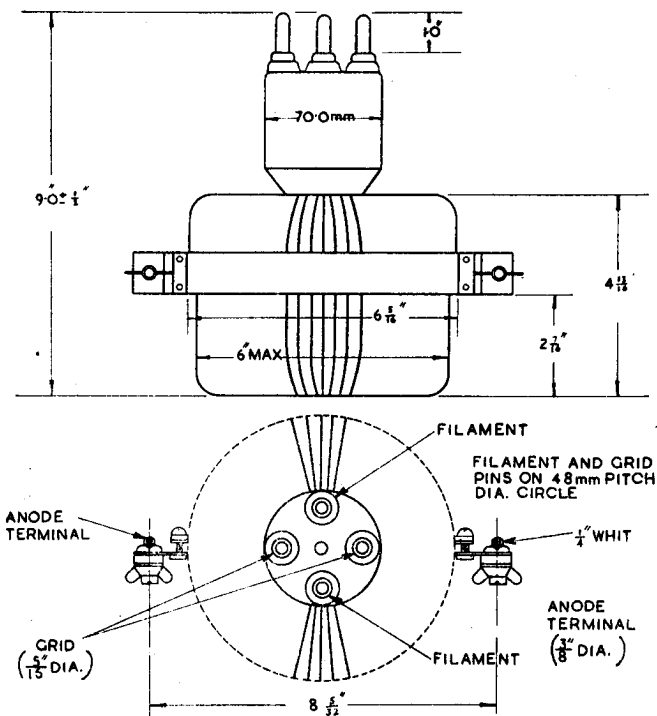
EHA.2500

EDISWAN

EHA.2500

FORCED AIR COOLED TRIODE

EHA 2500



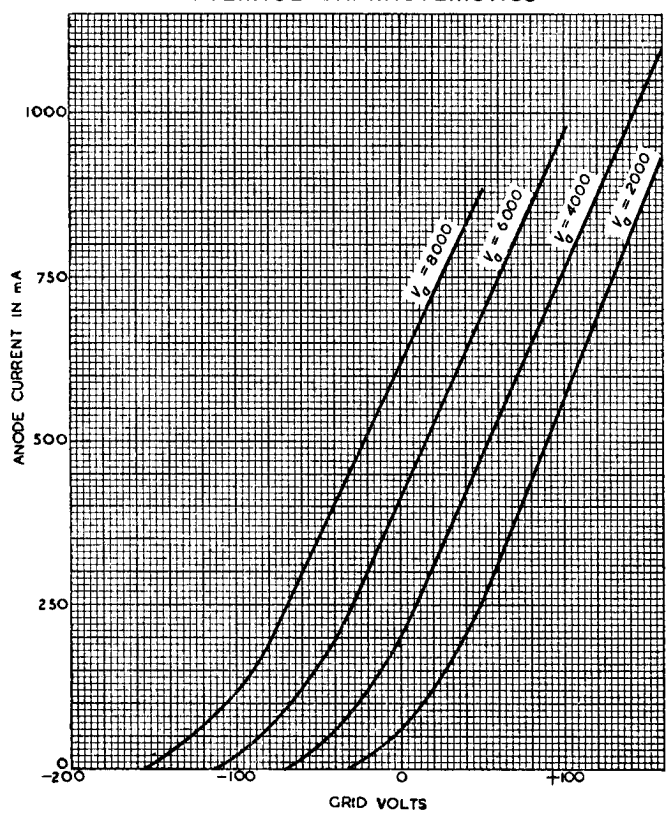
ALL DIMS IN ins UNLESS
STATED OTHERWISE

EHA.2500

EDISWAN

EHA.2500
FORCED AIR COOLED TRIODE

AVERAGE CHARACTERISTICS

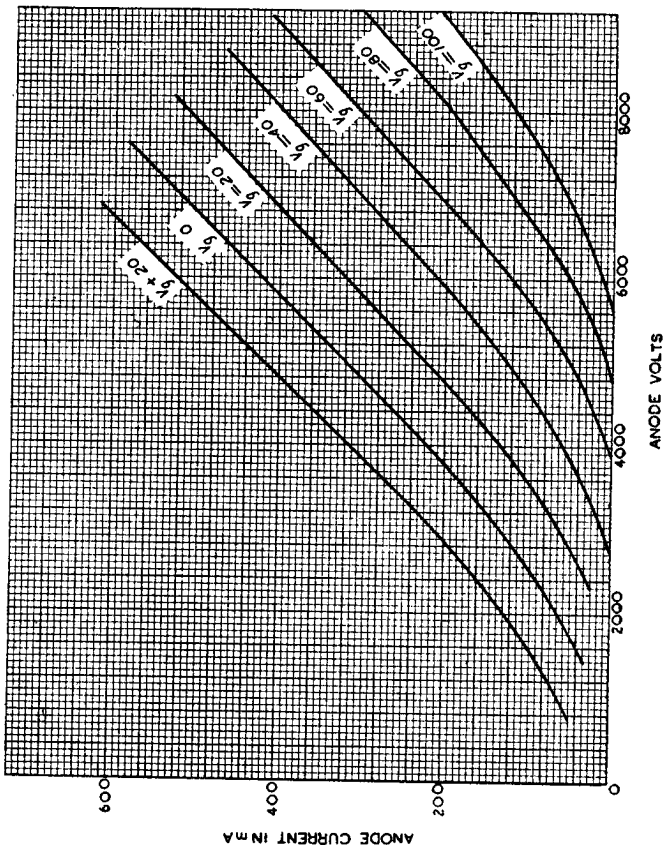


EHA.2500

EDISWAN

EHA.2500
FORCED AIR COOLED TRIODE

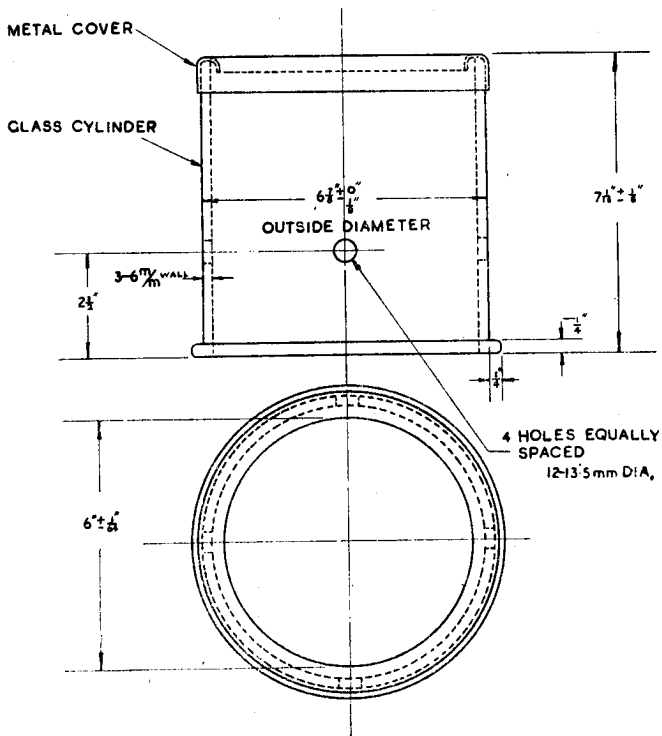
AVERAGE CHARACTERISTICS



EHA.2500

EDISWAN
EHA.2500
FORCED AIR COOLED TRIODE

SUPPORT TYPE G.C.2.

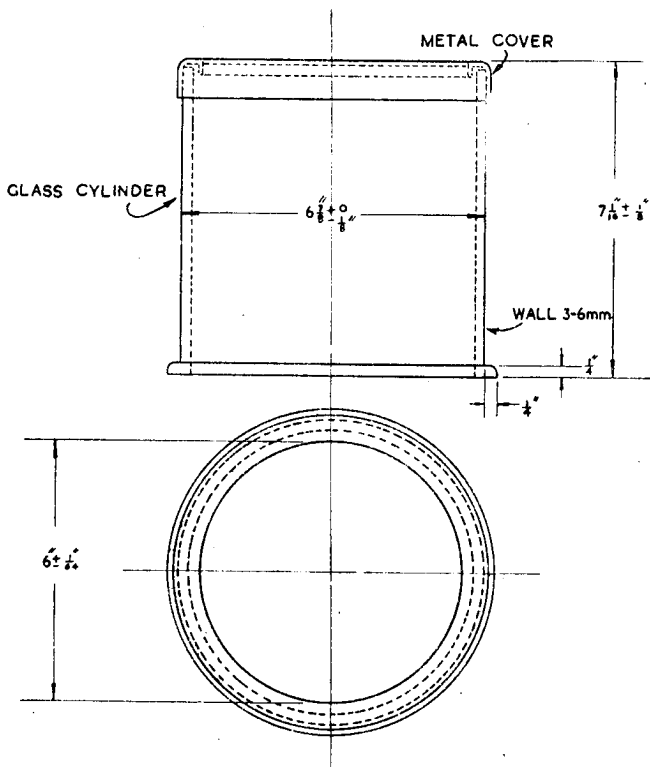


NOTE THIS SUPPORT IS USED WHEN VALVE IS OPERATED
IN AN INVERTED POSITION

ALL DIMS IN ins UNLESS
STATED OTHERWISE

EDISWAN
EHA.2500
FORCED AIR COOLED TRIODE

SUPPORT TYPE G.C.1.



ALL DIMS IN ins UNLESS
STATED OTHERWISE
FOR USE WHEN VALVE IS MOUNTED WITH GLASS END UP