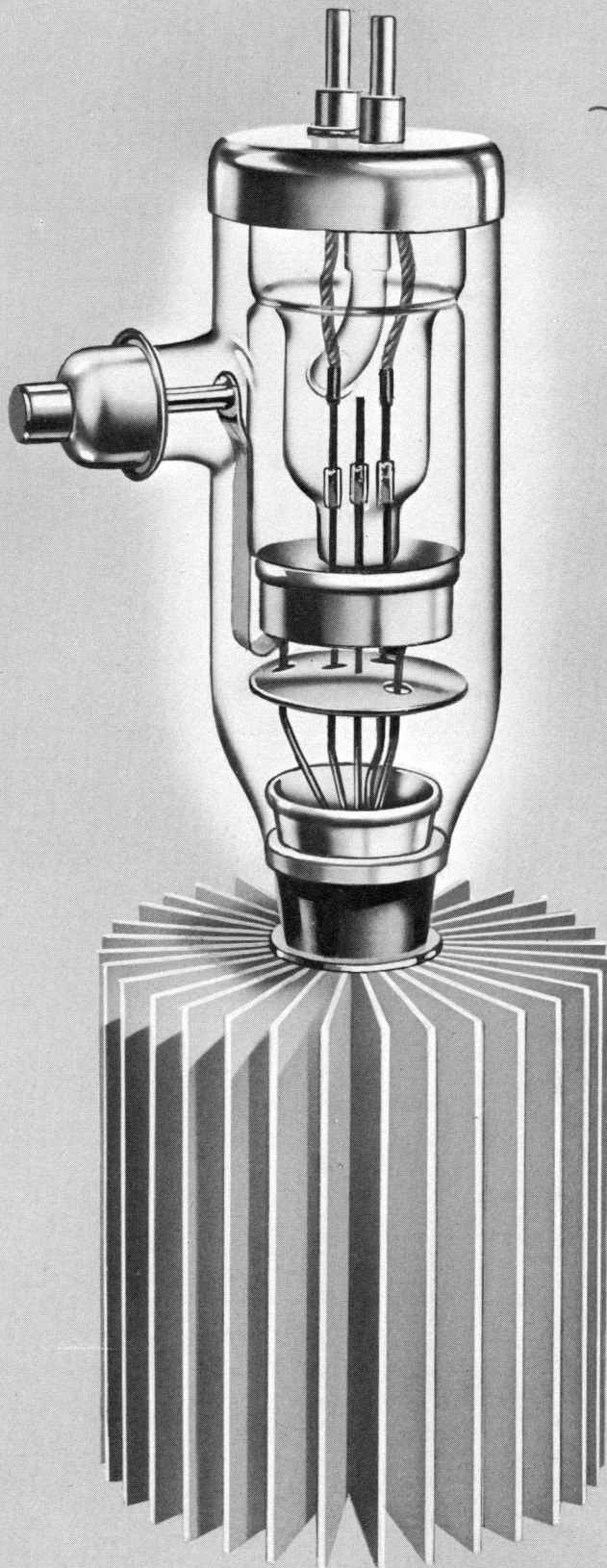


NOW  
F 220CA/320BA



# FEDERAL POWER TRIODE Type F-320BA/220CA 5 Kilowatts Plate Dissipation



## GENERAL DATA

### DESCRIPTION:

Federal's F-320BA/220CA is a three-electrode tube designed for use as an R-F Amplifier, Oscillator, or Class B Modulator. The anode, forced air-cooled, is capable of dissipating 5 kilowatts. The cathode is a pure tungsten filament. Maximum ratings apply up to 4 megacycles.

### Electrical:

▶ Filament Voltage	21.5 Volts
▶ Filament Current	41.0 Amperes
▶ Filament Starting Current	82.0 Amperes
▶ Available Thermionic Emission	7.0 Amperes
▶ Amplification Factor, at $I_b = 0.85$ amps. $E_c = -50$ volts	40
▶ Interelectrode Capacitances	
Grid-Plate	23.5 $\mu\mu\text{f}$
Grid-Filament	17.5 $\mu\mu\text{f}$
Plate-Filament	1.6 $\mu\mu\text{f}$

### Mechanical:

▶ Mounting Position— Vertical, Anode Down	
▶ Type of Cooling—Forced Air	
▶ Required Air Flow on Anode Plate Dissipation (Kilowatts)	5
Air Flow—Cubic Feet Per Minute	600
▶ Maximum Glass Temperature	150° C
▶ Net Weight, approximate	35 Lbs.

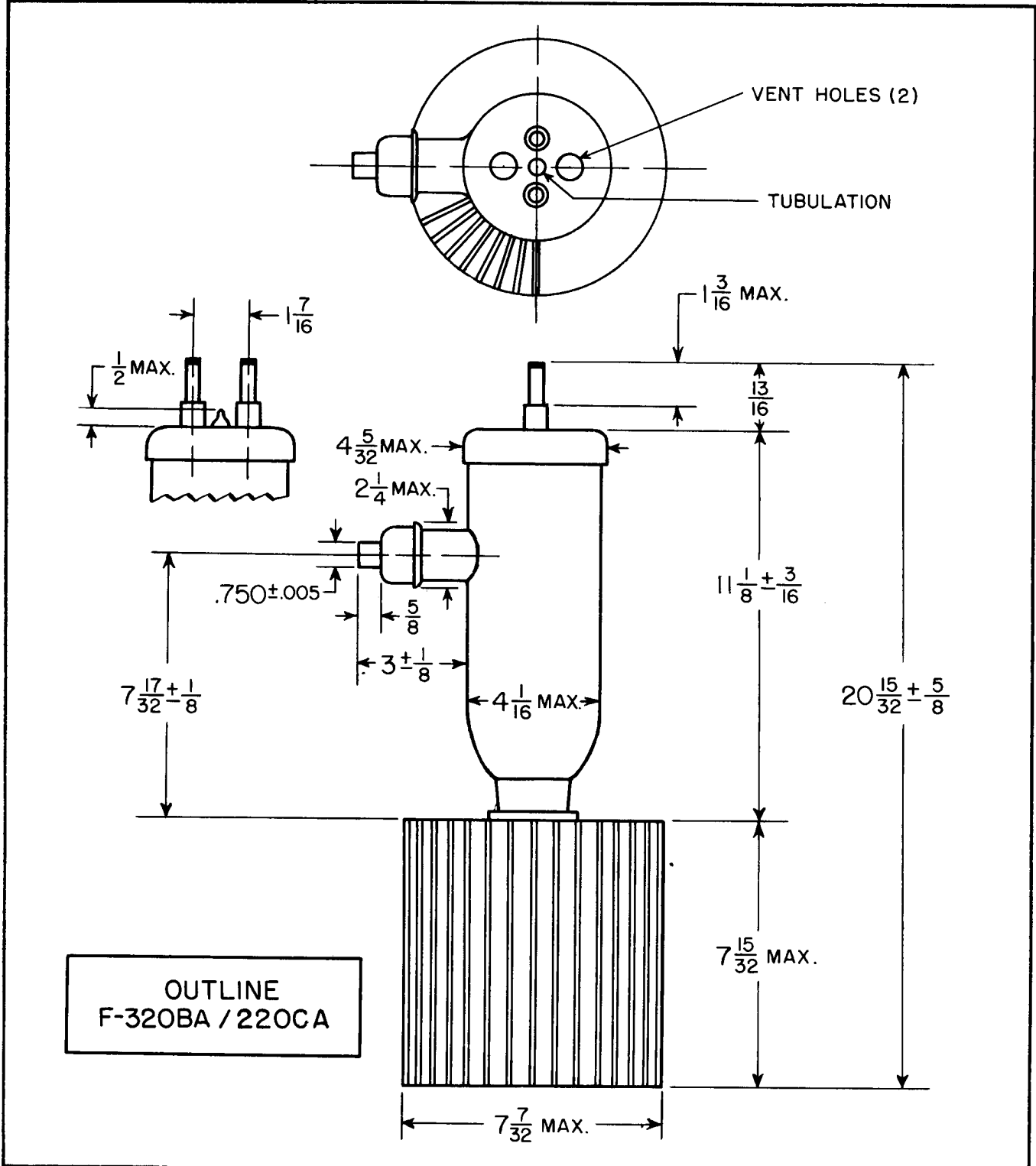
For Characteristic Curves see F-320-B. Except for reduction of plate dissipation to 5KW, Maximum Ratings and Typical Operation of F-320-B apply.

# FEDERAL POWER TRIODE Type F-320BA/220CA

5 Kilowatts Plate Dissipation



Precision craftsmanship was initiated by Federal in the earliest days of tube manufacture, and has been maintained ever since.



## Federal Telephone and Radio Company

100 Kingsland Road Clifton, New Jersey