

CHARACTERISTICS

GENERAL DATA

Focusing Method	Electrostatic
Deflecting Method	Magnetic
Deflection Angles (Approx.)	
Vertical	68 Degrees
Horizontal	85 Degrees
Diagonal	90 Degrees
Phosphor	Aluminized P4
Fluorescence	White
Persistence	Short to Medium
Faceplate	Gray Filter Glass
Light Transmittance (Approx.)	80 Percent

ELECTRICAL DATA

Heater Voltage	6.3 Volts
Heater Current	0.60 ± 10% Ampere
Direct Interelectrode Capacitances (Approx.)	
Cathode to All Other Electrodes	5 μμf
Grid No. 1 to All Other Electrodes	6.5 μμf

MECHANICAL DATA

Minimum Useful Screen Dimensions (Maximum Assured)	7 3/16 x 5 3/8 Inches
Nominal Overall Length	11 15/16 Inches
Nominal Neck Length	8 Inches
Area	35.5 Sq. Inches
Bulb Contact (Recessed Small Cavity Cap)	J1-21
Base (Small Shell Duodecal 6-Pin)	B6-63
Basing	12M

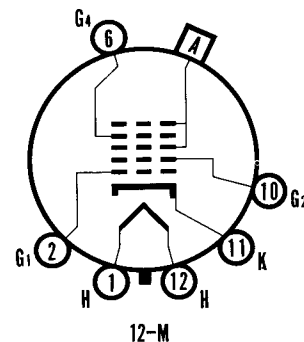
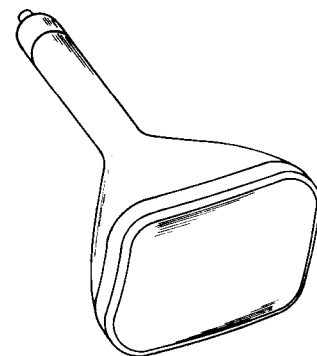
RATINGS

MAXIMUM RATINGS (Absolute Maximum Values)

Anode Voltage	18,000 Volts	dc
Grid No. 4 (Focusing Electrode) Voltage	800 Volts	dc
Grid No. 2 Voltage	700 Volts	dc
Grid No. 1 Voltage		
Negative Bias Value	180 Volts	dc
Positive Bias Value	0 Volts	dc
Positive Peak Value	2 Volts	
Peak Heater-Cathode Voltage		
Heater Negative with Respect to Cathode		
During Warm-up Period		
not to Exceed 15 Seconds	450 Volts	
After Equipment Warm-up Period	200 Volts	
Heater Positive with Respect to Cathode	200 Volts	

QUICK REFERENCE DATA

Television Monitor Tube
8" Rectangular, All Glass
Electrostatic Focus
No Ion Trap
90° Magnetic Deflection
Gray Filter Glass
Aluminized Screen
High Resolution



**SYLVANIA
ELECTRONIC TUBES**

A Division of
Sylvania Electric Products Inc.

**PICTURE TUBE OPERATIONS
SENECA FALLS, NEW YORK**

*Prepared and Released By The
TECHNICAL PUBLICATIONS SECTION
EMPORIUM, PENNSYLVANIA*

JULY, 1960

PAGE 1 OF 2

File Under

**SPECIAL AND GENERAL PURPOSE
CATHODE RAY TUBES**

TYPICAL OPERATING CONDITIONS

Anode Voltage	16,000 Volts	dc
Grid No. 4 Voltage for Focus	0 to 400 Volts	dc
Grid No. 2 Voltage	300 Volts	dc
Grid No. 1 Voltage Required for Cutoff ¹	-35 to -72 Volts	dc

CIRCUIT VALUES

Grid No. 1 Circuit Resistance 1.5 Megohm Max.

NOTE:

1. Visual extinction of focused raster. Extinction of stationary focused spot will require that these values be about 5 volts more negative.

WARNING:

X-ray radiation shielding may be necessary to protect against possible danger of personal injury from prolonged exposure at close range if this tube is operated at higher than the manufacturer's Maximum Rated Anode Voltage or 16,000 volts, whichever is less.

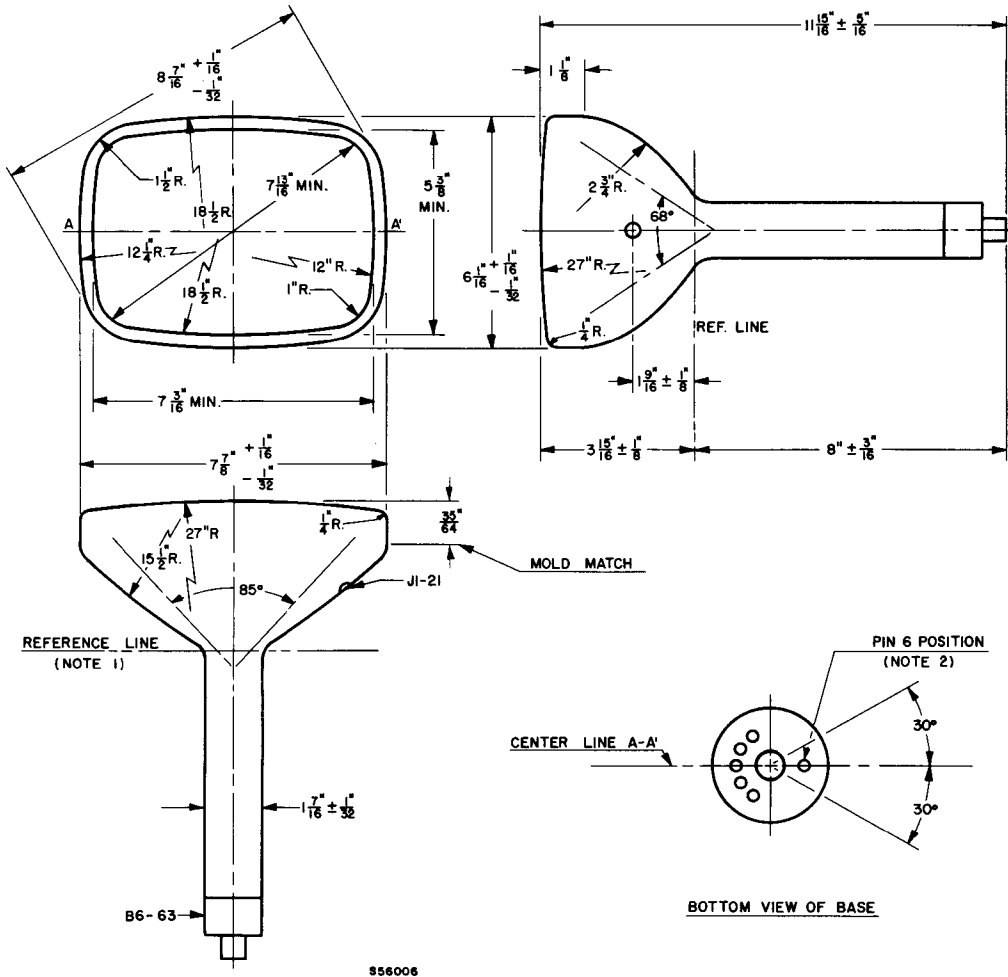


DIAGRAM NOTES:

1. Reference line is determined by the plane C-C' of JEDEC No. 116 reference line gauge when the gauge is seated against the bulb.
2. Base Pin No. 6 aligns with horizontal centerline within 30° and is on same side as anode contact (J1-21).