

# Central ELECTRONIC

## MANUFACTURERS

DENVILLE, NEW JERSEY

**HIGH VOLTAGE  
HIGH CURRENT  
DIODE  
TYPE  
7131/XD-2**  
Anode Dissipation  
3 Kw

# HIGH VOLTAGE HIGH VACUUM DIODE

## DESCRIPTION

The Central 7131/XD-2 is a forced-air cooled hard tube diode specifically designed for rectifier, charging and shunt diode service up to 40Kv peak inverse voltage. The tube design features a special thoriated tungsten filament capable of high peak currents and long life. The external anode allows for high anode dissipation ratings and efficient air cooling when used with the recommended Central air socket. This air socket permits maximum air flow at the anode. The 7131/XD-2 can dissipate 3Kw continuously at an air flow of 190 cfm.

## SPECIFICATIONS

### PHYSICAL

Overall Length . . . . . 6½ inches  
Overall Diameter . . . . . 4⅝ inches  
Weight . . . . . 5¼ pounds (approx.)  
Mounting Position . . . . . Vertical  
Mounting Socket . . . . . CAS-A or CAS-B Series  
Type of Cooling . . . . . Forced air  
Air Flow

Velocity cfm	Anode Dissipation Rating	Pressure Drop (in. of water)
50	1.0Kw	0.20
75	1.8Kw	0.26
125	2.4Kw	0.58
190	3.0Kw	1.21

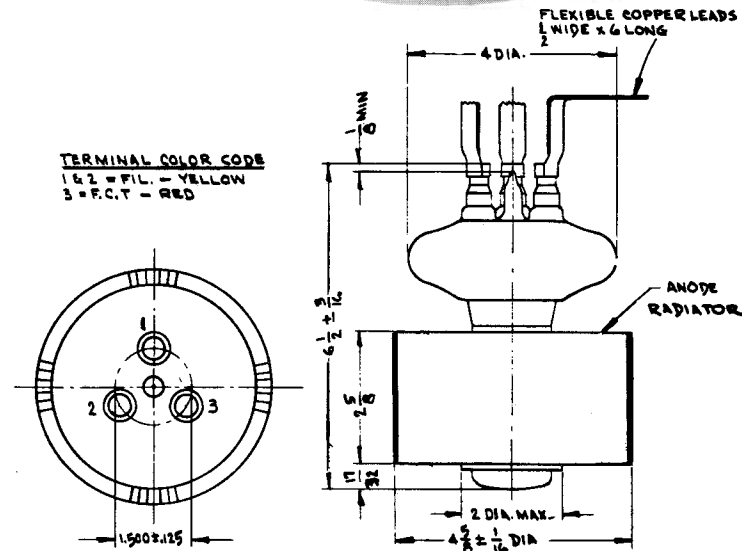
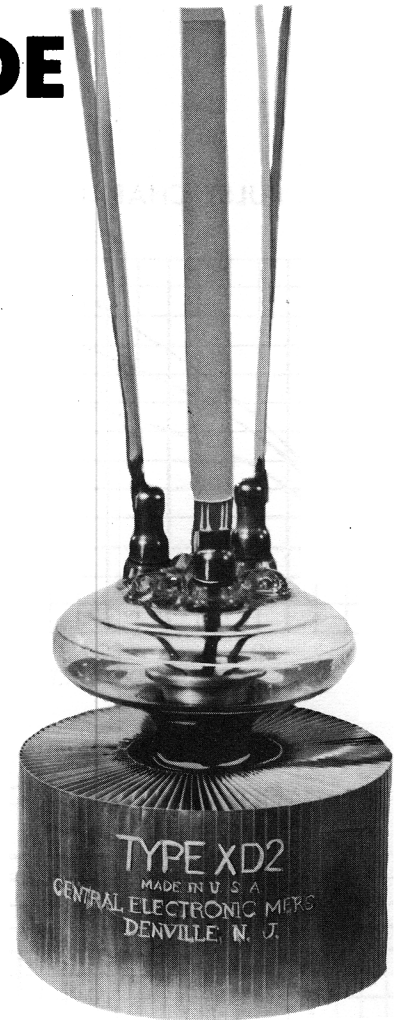
Max. Incoming Air Temperature . . . . . 45°C  
Max. Glass Seal Temperature . . . . . 180°C

### ELECTRICAL (RECTIFIER)

Filament . . . . . Special Thoriated Tungsten  
Filament Voltage . . . . . 13 Volts A.C.  
Filament Current . . . . . 36 Amperes  
Starting Filament Surge Current . 80 Amperes (max.)  
Peak Inverse Voltage . . . . . 40,000 Volts (max.)  
Anode Current . . . . . 3 Amperes  
Peak Anode Current . . . . . 15 Amperes

### ELECTRICAL (CLIPPER, SHUNT or CHARGING DIODE)

Filament Voltage . . . . . 14.5 Volts A.C. (clipper)  
13 Volts A.C. (charging)  
Filament Current . . . . . 40 Amperes (clipper)  
36 Amperes (charging)  
Starting Filament Surge Current 80 Amperes (max.)  
Peak Inverse Voltage . . . . . 40,000 Volts (max.)  
Anode Current (RMS) . . . . . 6 Amperes  
Peak Anode Current . . . . . 150 Amperes (clipper)



HIGH VOLTAGE  
HIGH CURRENT  
DIODE

# Central ELECTRONIC

MANUFACTURERS

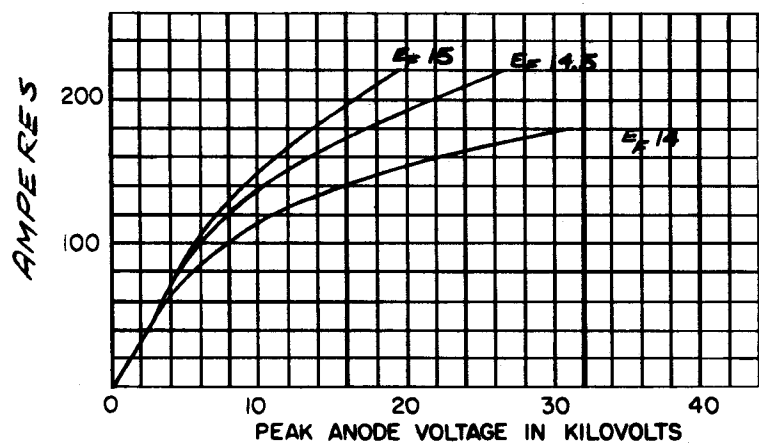
GENVILLE, NEW JERSEY

TYPE

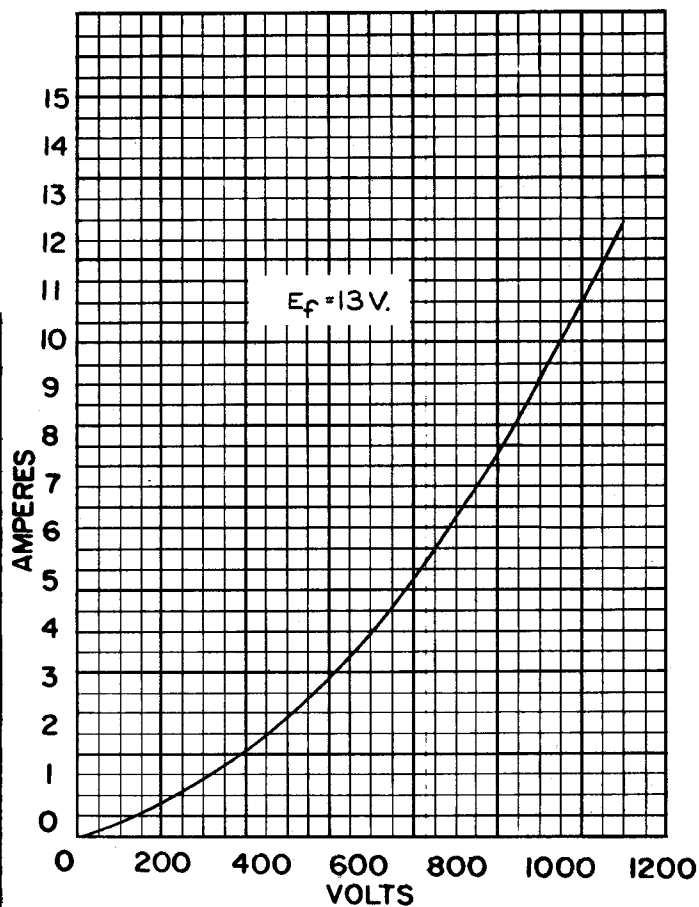
7131/XD-2

Anode Dissipation  
3 Kw

### PULSE CHARACTERISTICS



### AVERAGE ANODE CHARACTERISTICS



### FILAMENT CHARACTERISTICS

