

Cathode Ray Tube for Television Reception

15-INCH SCREEN

HEATER CHARACTERISTICS

Heater Voltage	Vf	= 4.0 volts
Heater Current	If	= 1.2 amps

OPERATING CHARACTERISTICS

Second Anode Voltage	Va2	= 4,000-5,000 volts
First Anode Voltage	Va1	= 250 volts
*Grid Voltage	-Vg	= 0-60 volts
Cathode internally connected to Heater—						
Electromagnetic Deflection Sensitivity	Y = $\frac{16L}{\sqrt{Va2}}$	mm. per Gauss.

(Where L is the length of deflection zone in millimetres and Va2 the second anode voltage.)

Ampere turns for focusing coil = 500 A.T.

INPUT CAPACITY

Grid to all other Electrodes	Cg	= 6.0 μ F
------------------------------	-----	-----	-----	----	---------------

FLUORESCENT COLOUR

White.

DEFLECTION

Double Electromagnetic

LIMITS

Maximum Second Anode Voltage	Va2 _{max}	= 6,000 volts
Maximum First Anode Voltage	Va1 _{max}	= 250 volts

* The Grid Voltage should be adjusted to give the required light intensity. The voltage should never become positive or damage to the tube will result.

M46-15

Mullard TELEVISION TUBE

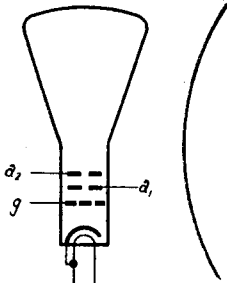
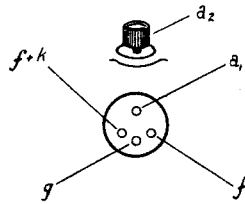


FIG. 1.



BOTTOM VIEW OF TUBE

FIG. 2.

DIMENSIONS IN M/M

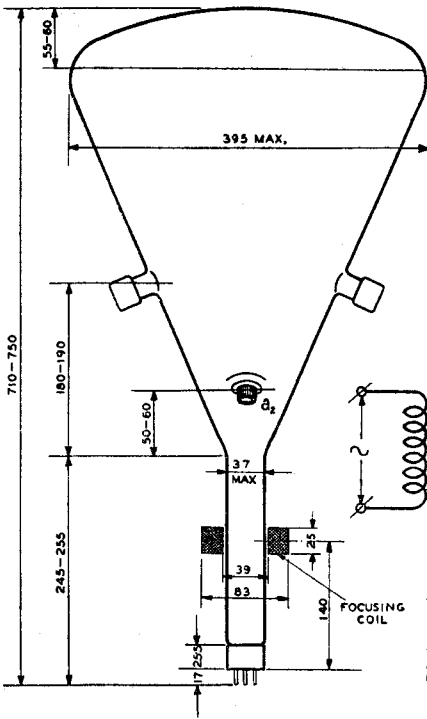


FIG 3

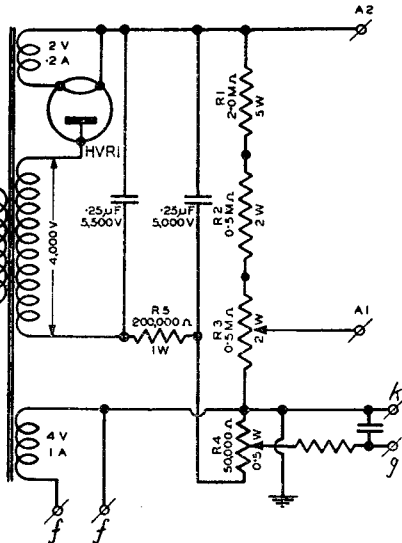


FIG 4

Mullard TELEVISION TUBE

M46-15

