

Mullard

HIGH VOLTAGE RECTIFIER

HVR1

The HVR1 is a directly heated high voltage half-wave rectifier for use in apparatus employing Cathode Ray Tubes.

FILAMENT CHARACTERISTICS

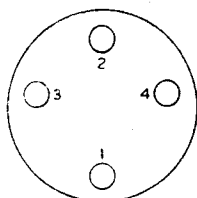
Filament Voltage $V_f = 2.0$ volts
 Filament Current $I_f = 0.29$ amp

DIMENSIONS

Overall Length = 132 mm.
 Overall Diameter... .. = 46 mm.

OPERATING DATA

Maximum Anode Voltage (R.M.S.) $V_{a\max}$ = 6,000 volts
 Maximum Rectified Current (continuous) $I_{a\max}$ = 5.0 mA
 Maximum Peak Inverse Voltage = 15,000 volts



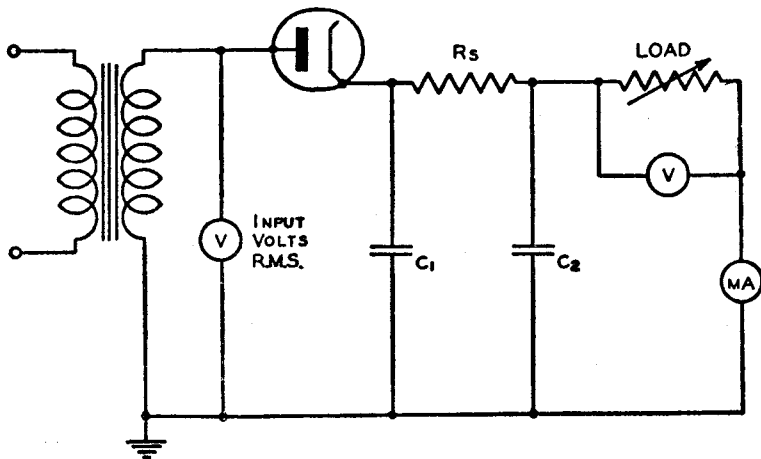
Viewed from end of pins.

CONNECTIONS

Pin No. 1 —
 „ 2 —
 „ 3 Filament
 „ 4 Filament
 Top Cap—Anode

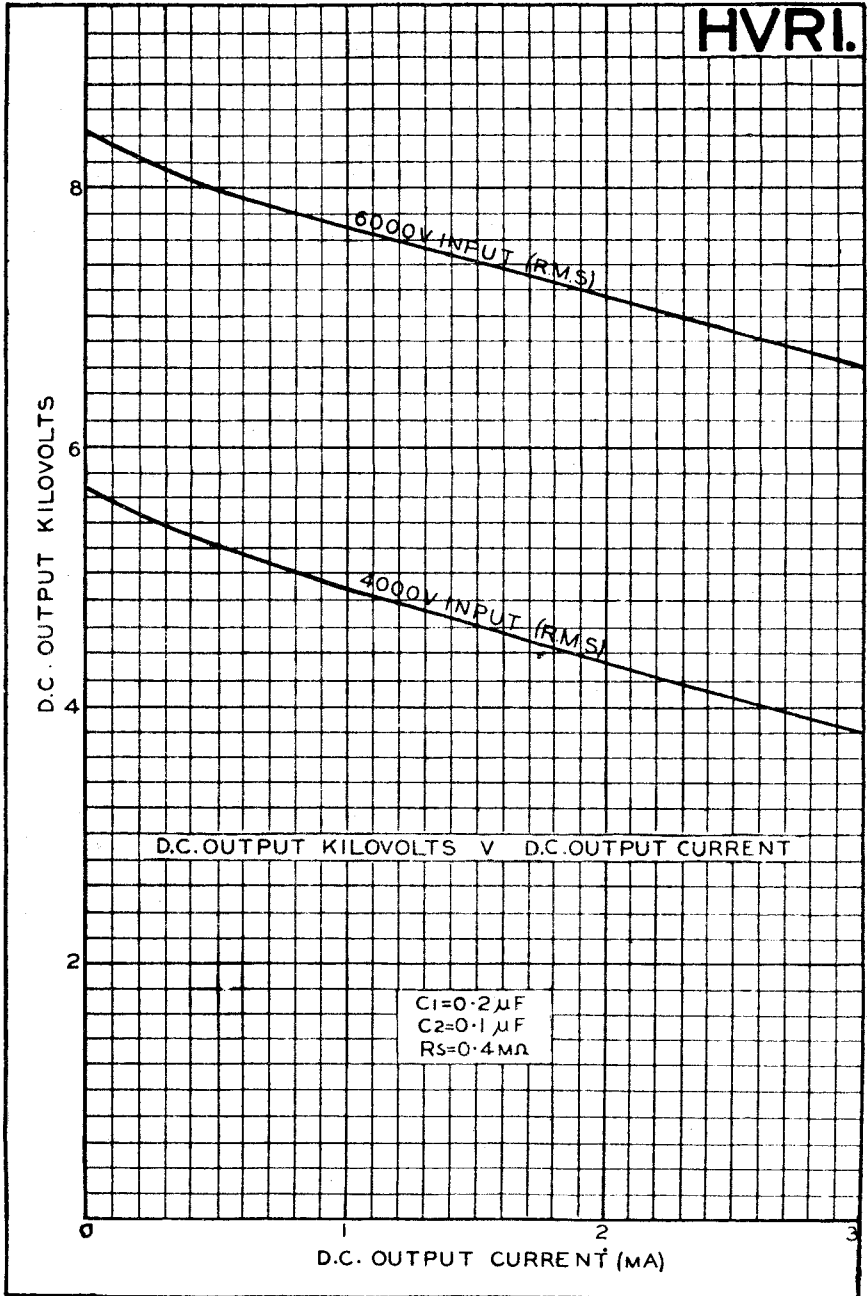
OPERATING NOTES

A typical method of operating is shown below, the constants on the curves refer to this circuit.



HVRI

Mullard HIGH VOLTAGE RECTIFIER



Mullard HIGH VOLTAGE RECTIFIER

HVR1

