

# Mullard

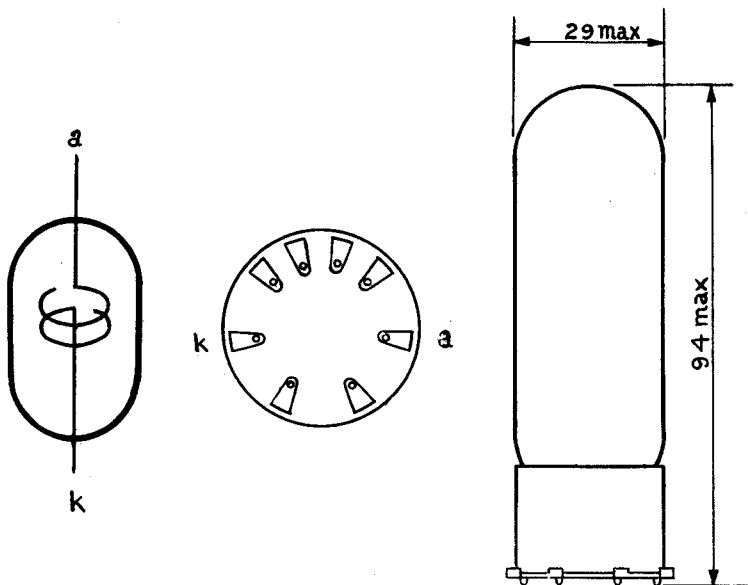
## NEON STABILISING TUBE

# 4687

### Operating Conditions

V starting max .....	115	V	←
V burning .....	85-100	V	
I quiescent .....	20	mA	
I max .....	40	mA	
I min .....	10	mA	←
A.C. resistance max .....	250	ohms	

### Arrangement of electrodes and base connections



4687

# 4687

## Mullard NEON STABILISING TUBE

