



TECHNICAL DATA

8909  
4CX5000J

RADIAL-BEAM  
POWER TETRODE

The EIMAC 8909/4CX5000J is a compact, high-power, ceramic/metal, forced-air cooled tetrode with a rated maximum plate dissipation of 6000 watts. It incorporates rugged internal construction features, including a mesh filament/cathode.

The 8909/4CX5000J is specifically designed for exceptionally low intermodulation distortion in radio-frequency linear amplifier service.



GENERAL CHARACTERISTICS<sup>1</sup>

ELECTRICAL

Filament: Thoriated Tungsten

Voltage . . . . . 7.5 ± 0.37 V  
Current, at 7.5 volts . . . . . 103 A

Amplification Factor (Average):

Grid to Screen . . . . . 4.5

Direct Interelectrode Capacitance (grounded filament)<sup>2</sup>

Cin . . . . . 120 pF  
Cout . . . . . 20.5 pF  
Cgp . . . . . 0.7 pF

Direct Interelectrode Capacitance (grounded grid)<sup>2</sup>

Cin . . . . . 56 pF  
Cout . . . . . 21.5 pF  
Cpk . . . . . 0.10 pF

Frequency of Maximum Rating:

CW . . . . . 100 MHz

- 1. Characteristics and operating values are based upon performance tests. These figures may change without notice as the result of additional data or product refinement. EIMAC Division of Varian should be consulted before using this information for final equipment design.
- 2. Capacitance values are for a cold tube as measured in a special shielded fixture in accordance with Electronic Industries Association Standard RS-191.

MECHANICAL

Maximum Overall Dimensions:

Length . . . . . 9.125 in; 231.77 mm  
Diameter . . . . . 4.938 in; 125.43 mm  
Net Weight . . . . . 9.5 lb; 4.31 kg  
Operating Position . . . . . Axis vertical, base up or down

**Maximum Operating Temperature:**

Ceramic/Metal Seals or Anode Core .....	250°C
Cooling .....	Forced Air
Base .....	Special concentric
Recommended Air System Socket .....	SK-300 or SK-300A
Recommended (Air) Chimney .....	SK-306

**RADIO FREQUENCY LINEAR AMPLIFIER  
GRID DRIVEN**

Class AB<sub>1</sub>

TYPICAL OPERATION (Frequencies to 100 MHz)

Class AB<sub>1</sub>, Grid Driven, Peak Envelope or Modulation Crest Conditions

ABSOLUTE MAXIMUM RATINGS:

DC PLATE VOLTAGE .....	7500 VOLTS
DC SCREEN VOLTAGE .....	1500 VOLTS
DC PLATE CURRENT .....	4.0 AMPERES
PLATE DISSIPATION .....	6000 WATTS
SCREEN DISSIPATION .....	250 WATTS
GRID DISSIPATION .....	75 WATTS

Plate Voltage .....	4050 Vdc
Screen Voltage .....	800 Vdc
Grid Voltage <sup>1</sup> .....	-155 Vdc
Zero-Signal Plate Current .....	750 mAdc
Single-Tone Plate Current .....	1.65 Adc
Single-Tone Screen Current <sup>2</sup> .....	67 mAdc
Peak rf Grid Voltage <sup>2</sup> .....	140 v
Single-Tone Plate Dissipation .....	3300 W
Useful Power Output (PEP) <sup>3</sup> .....	3150 W
Load Impedance .....	1350 Ω
Intermod. Distortion Products <sup>4</sup> :	
3rd Order .....	-41 dB
5th Order .....	-44 dB

1. Adjust to specified zero-signal dc plate current.
2. Approximate value.
3. Useful power is that delivered to the load.
4. Referenced against one tone of a two equal-tone signal.

NOTE: TYPICAL OPERATION data are obtained from direct measurement or by calculation from published characteristic curves. Adjustment of the rf grid voltage to obtain the specified plate current at the specified bias, screen and plate voltages is assumed. If this procedure is followed, there will be little variation in output power when the tube is changed, even though there may be some variation in screen current. The screen current which results when the desired plate current is obtained is incidental and varies from tube to tube. This current variation causes no difficulty so long as the circuit maintains the correct voltage in the presence of the variations in current.

**RANGE VALUES FOR EQUIPMENT DESIGN**

	<u>Min.</u>	<u>Max.</u>
Filament: Current at 7.5 volts .....	98	108 A
Interelectrode Capacitances <sup>1</sup> (grounded filament connection)		
C <sub>in</sub> .....	113	127 pF
C <sub>out</sub> .....	18	23 pF
C <sub>gp</sub> .....	---	1.0 pF
Interelectrode Capacitances <sup>1</sup> (grounded grid connection)		
C <sub>in</sub> .....	51	61 pF
C <sub>out</sub> .....	19	24 pF
C <sub>pk</sub> .....	---	0.16 pF

1. Capacitance values are for a cold tube as measured in a special shielded fixture in accordance with Electronic Industries Association Standard RS-191.

**APPLICATION**

**MECHANICAL**

**MOUNTING** - The 4CX5000J must be operated with its axis vertical. The base of the tube may be down or up at the convenience of the circuit designer.

**SOCKET** - The EIMAC SK-300A Air-System Socket is designed especially for the concentric base terminals of the 4CX5000J. The use of recommended air-flow rates through this socket

provides effective forced-air cooling of the tube. Air forced into the bottom of the socket passes over the tube terminals and through an Air Chimney, the SK-306, into the anode cooling fins. The SK-300 socket may be used instead of the SK-300A, but its use will result in a slightly less efficient cooling system at high dissipation levels.

**COOLING** - The maximum temperature rating for the external surfaces of the 4CX5000J is 250°C. Sufficient forced-air circulation must be provided to keep the temperature of the anode at the base of the cooling fins and the temperature of the ceramic/metal seals below 250°C. Sea level air-flow requirements to maintain seal temperatures at 200°C in 50°C ambient air are tabulated below (for operation below 30 megacycles).

Plate Dissipation (Watts)	SK-300A Socket		SK-300 Socket	
	Air Flow (CFM)	Pressure Drop (Inches of water)	Air Flow (CFM)	Pressure Drop (Inches of water)
2000	75	0.4	75	0.4
3000	105	0.7	100	0.7
4000	145	1.1	135	1.2
5000	190	1.5	165	1.8
6000	230	2.0	200	2.5

Since the power dissipated by the filament represents about 770 watts and since grid-plus screen dissipation can, under some conditions, represent another 200 to 300 watts, allowance has been made in preparing this tabulation for an additional 1200 watts dissipation.

At higher altitudes, higher frequencies, or higher ambient temperatures the flow rate must be increased to obtain equivalent cooling. The flow rate and corresponding pressure differential must be determined individually in such cases, using maximum rated temperatures as the criteria for satisfactory cooling.

**IMPACT AND VIBRATION** - The 4CX5000J is designed to operate under shock and vibration conditions which might disable a less rugged tube. Production tubes are subjected to testing to insure ability to withstand 15 G impact at 11 milliseconds duration and 2 G vibratory acceleration over the range of 5 to 55 Hz.

## ELECTRICAL

**FILAMENT VOLTAGE** - The rated filament voltage for the 4CX5000J is 7.5 volts. Filament voltage, as measured at the socket, should be

maintained at this value to obtain maximum tube life. In no case should it be allowed to deviate by more than 5 percent from the rated value.

**GRID DISSIPATION** - The 4CX5000J control grid has a maximum dissipation rating of 75 watts. Precautions should be observed to avoid exceeding this rating. Grid dissipation is approximately the product of dc grid current and peak positive grid voltage. The grid bias and driving power should be kept near the values shown in the "Typical Operation" sections of the data sheet whenever possible.

**SCREEN DISSIPATION** - The power dissipated by the screen of the 4CX5000J must not exceed 250 watts.

Screen dissipation, in cases where there is no ac applied to the screen, is the simple product of the screen voltage and the screen current.

Screen dissipation is likely to rise to excessive values when the plate voltage, bias voltage, or plate load are removed with filament and screen voltages applied. Suitable protective means must be provided to limit the screen dissipation to 250 watts in the event of circuit failure.

**PLATE DISSIPATION** - The plate-dissipation rating for the 4CX5000J is 6000 watts. Plate dissipation may be permitted to rise above the maximum rating during brief periods, such as may occur during tuning.

**HIGH VOLTAGE** - The 4CX5000J operates at voltages which can be deadly, and the equipment must be designed properly and operating precautions must be followed. Equipment must be designed so that no one can come in contact with high voltages. All equipment must include safety enclosures for high-voltage circuits and terminals, with interlock switches to open the primary circuits of the power supplies and to discharge high voltage condensers whenever access doors are opened. Interlock switches must not be bypassed or "cheated" to allow operation with access doors open. Always remember that HIGH VOLTAGE CAN KILL.

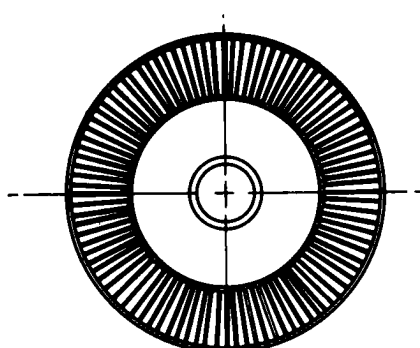
**INTERELECTRODE CAPACITANCE** - The actual internal interelectrode capacitance of a tube is influenced by many variables in most applications, such as stray capacitance to the chassis, capacitance added by the socket used, stray capacitance between tube terminals, and

wiring effects. To control the actual capacitance values within the tube, as the key component involved, the industry and the Military Services use a standard test procedure as described in Electronic Industries Association Standard RS-191. This requires the use of specially constructed test fixtures which effectively shield all external tube leads from each other and eliminates any capacitance reading to "ground". The test is performed on a cold tube. Other factors being equal, controlling internal tube capacitance in this way normally assures good interchangeability of tubes over a period of time, even when the tube may be made by different manufacturers. The capacitance values shown in the manufacturer's technical data, or test specifications,

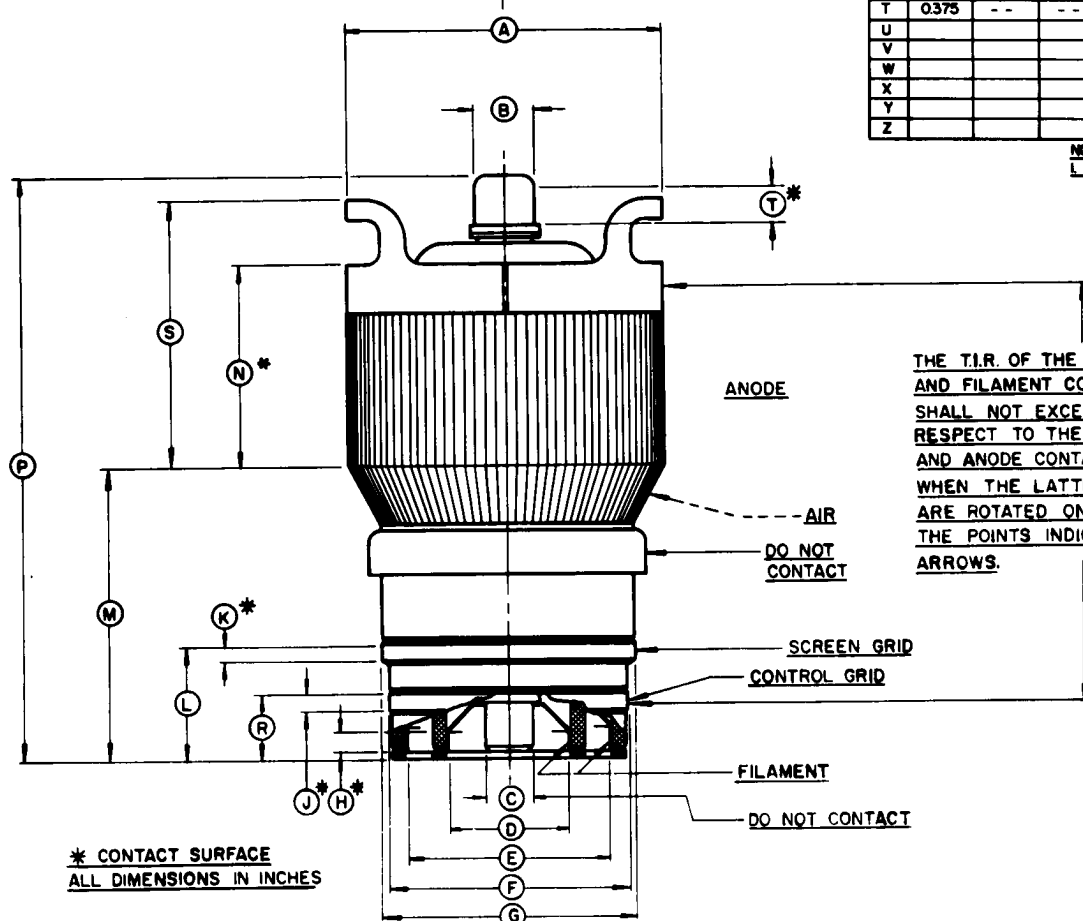
normally are taken in accordance with Standard RS-191.

The equipment designer is therefore cautioned to make allowance for the actual capacitance values which will exist in any normal application. Measurements should be taken with the socket and mounting which represent approximate final layout if capacitance values are highly significant in the design.

**SPECIAL APPLICATIONS** - If it is desired to operate this tube under conditions widely different from those given here, write to Power Grid Tube Division, EIMAC Division of Varian, 301 Industrial Way, San Carlos, California 94070, for information and recommendations.



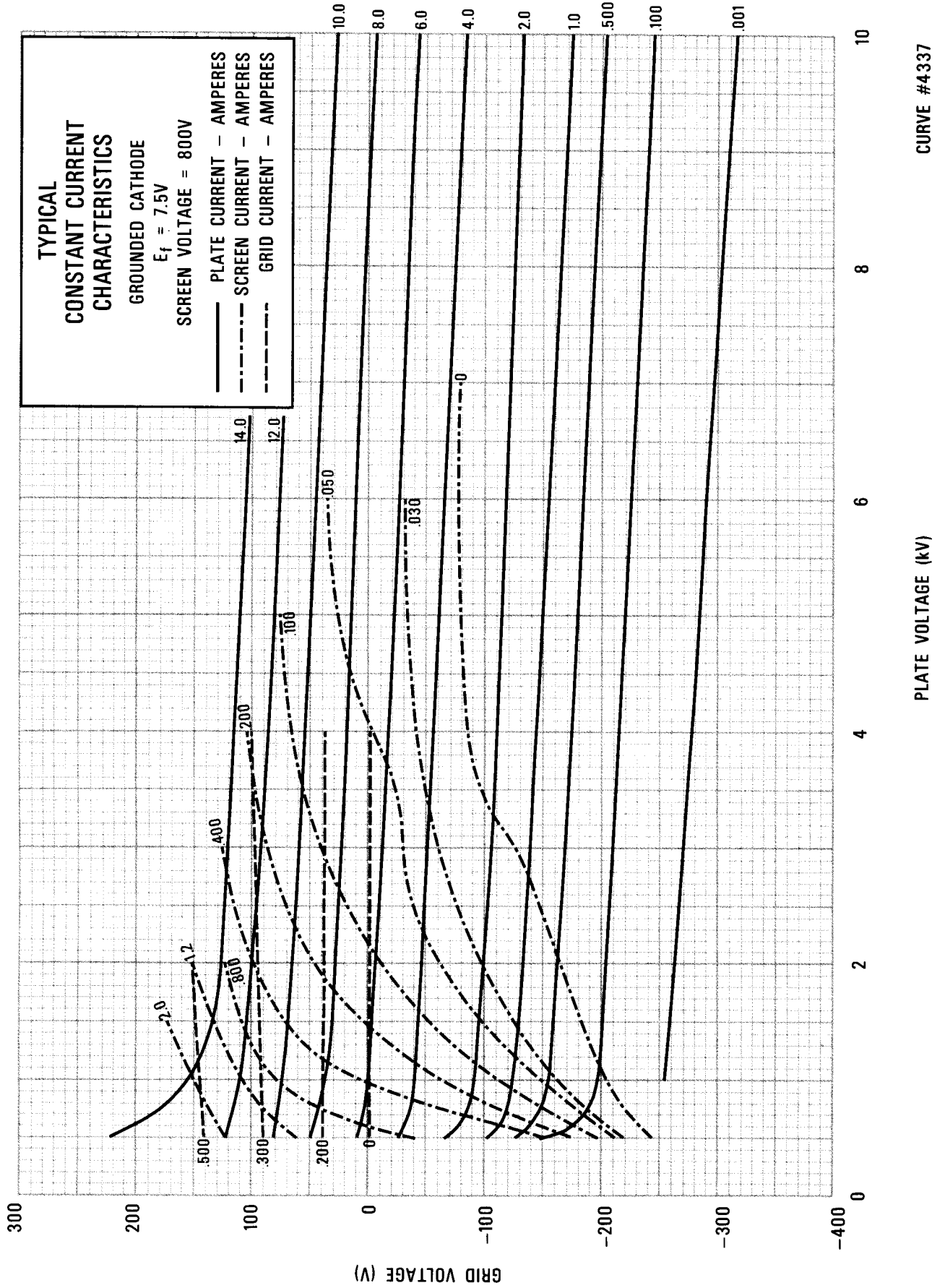
DIM.	DIMENSIONAL DATA					
	INCHES			MILLIMETERS		
	MIN.	MAX.	REF.	MIN.	MAX.	REF.
A	4.812	4.936	--	122.22	125.43	--
B	0.865	0.895	--	21.72	22.73	--
C	0.720	0.760	--	18.29	19.30	--
D	1.896	1.936	--	48.16	49.17	--
E	3.133	3.173	--	79.58	80.59	--
F	3.792	3.832	--	96.32	97.33	--
G	3.980	4.020	--	101.09	102.11	--
H	0.188	--	--	4.78	--	--
J	0.188	--	--	4.78	--	--
K	0.188	--	--	4.78	--	--
L	1.764	1.826	--	44.81	46.38	--
M	4.188	4.563	--	106.38	115.90	--
N	2.875	3.250	--	73.03	82.55	--
P	8.625	9.125	--	219.08	231.78	--
R	0.986	1.050	--	25.04	26.67	--
S	3.875	4.250	--	98.43	107.95	--
T	0.375	--	--	9.53	--	--
U						
V						
W						
X						
Y						
Z						

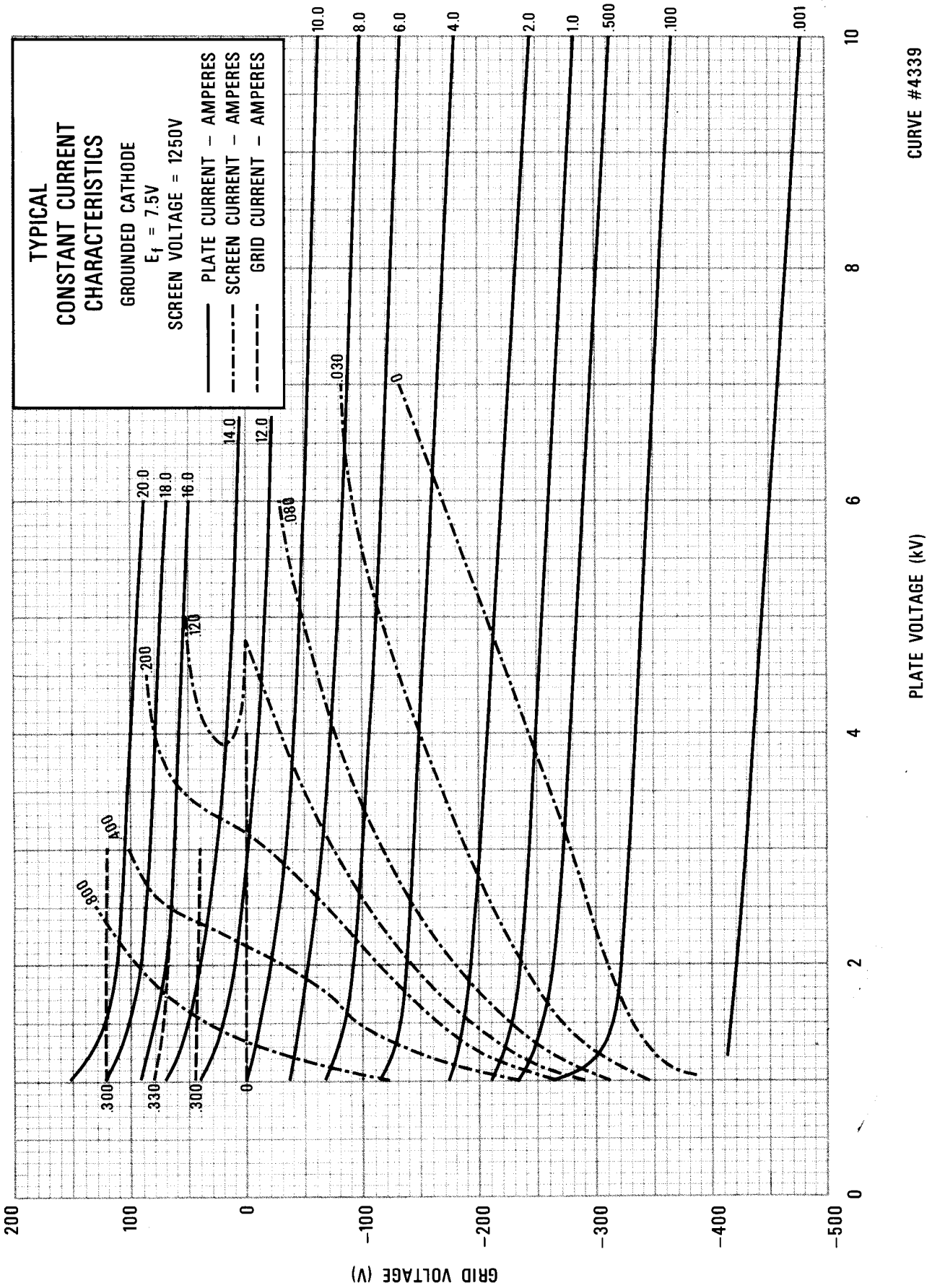


NOTES:  
 1. REF. DIMENSIONS ARE FOR INFO ONLY & ARE NOT REQUIRED FOR INSPECTION PURPOSES.

THE T.I.R. OF THE SCREEN GRID AND FILAMENT CONTACT SURFACES SHALL NOT EXCEED .040 WITH RESPECT TO THE CONTROL GRID AND ANODE CONTACT SURFACE WHEN THE LATTER SURFACES ARE ROTATED ON ROLLERS AT THE POINTS INDICATED BY THE ARROWS.

\* CONTACT SURFACE  
 ALL DIMENSIONS IN INCHES





CURVE #4339

PLATE VOLTAGE (kV)

10 8 6 4 2 0

200 100 0 -100 -200 -300 -400 -500

GRID VOLTAGE (V)