



Triode Type CAT27

(RF POWER AMPLIFIER)

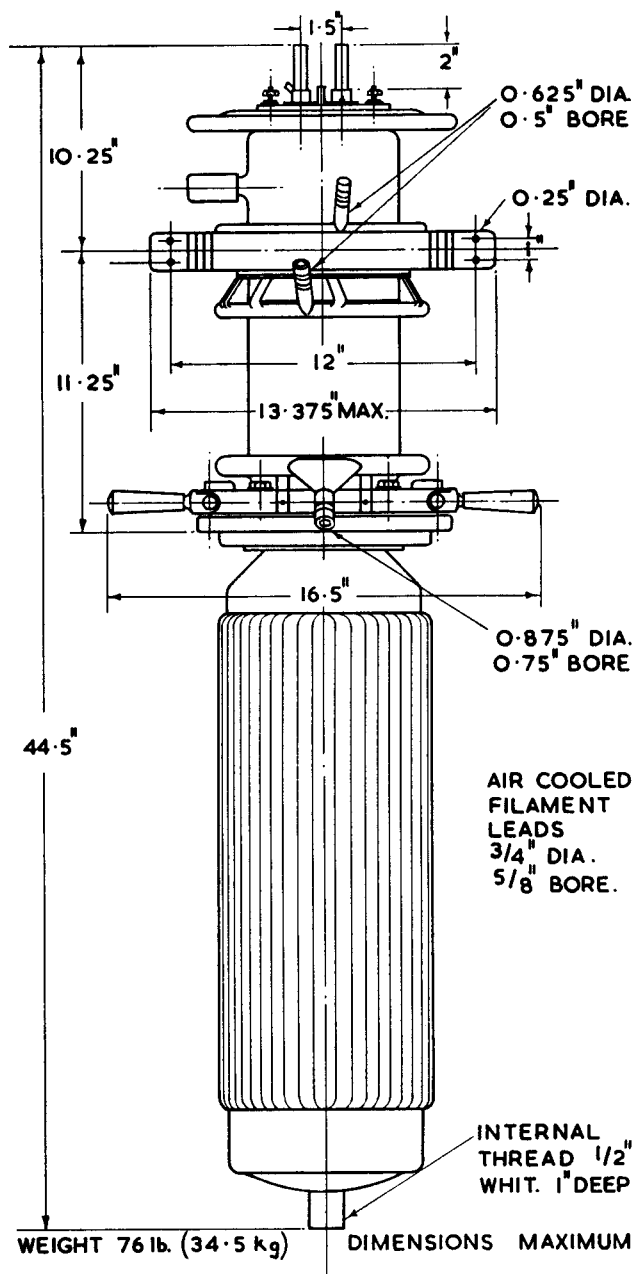
General. A triode with a water-cooled anode and fitted with a thoriated tungsten filament, this valve is suitable for use in communications equipment or RF heating applications. It is suitable for use at frequencies up to 26 Mc/s.

Cooling. The anode forms part of the valve envelope and must be fitted with a specially designed water jacket for cooling by circulating water in direct contact with the anode. The rated flow of water to the anode should not be less than 20 gallons per minute. The temperature of the cooling water must not exceed 150°F (65°C) at the outlet.

The anode and filament seals and filament leads require forced air cooling. The airflow to each of the seals should be not less than 4 cu. ft. per minute at a pressure of 4 in. water gauge and to each filament lead 6 cu. ft. per minute at 5 in. water gauge. The cooling supply must be started before the application of any supply voltage and must continue for 15 minutes after their removal.

Filament Switching. The cold filament resistance is 0.0057 ohms. The filament current must not exceed 375 A at any time, even instantaneously. An 0.042-ohm resistor should be placed in series with the filament and the normal voltage then applied. The resistor should be cut out after 30 seconds. It may be convenient to place the resistor in the primary of a supply transformer, in which case the above resistance value should be multiplied by the square of the transformation ratio. If the valve is operated for more than 15 minutes without anode current, the filament voltage must be reduced to one-half during the standby period, i.e. by reinserting the starting resistor.

Storage. It is recommended that a valve in storage should be run under operating conditions for at least 2 hours in each period of 6 months.



MARCONI'S WIRELESS TELEGRAPH COMPANY LIMITED

Head Office: Marconi House, Chelmsford, England. Telephone: Chelmsford 3221. Telegraphic Address: Expanse, Chelmsford

Whenever a new valve or a valve which has been idle for more than 2 months is put into service it must be conditioned by operating for 1 hour at half the normal anode voltage and current. The anode voltage should then be increased slowly to the normal value. During this process a resistance of at least 25 ohms should be connected into the anode supply lead, in order to limit the surge current in the event of a flash-over inside the valve.

HT Switching. It is not permissible to apply directly HT voltage in excess of 7 kV. When the valve is to be operated at a higher voltage the HT should be gradually increased from a low value.

Mounting. The valve must be wholly supported by its water jacket which should be capable of adjustment so that the axis of the valve is truly vertical. Rigid connections should be made to the anode only.

It is essential that the connections to the grid ring shall be sufficiently flexible to allow for the expansion of the valve without imposing mechanical strain on the glass.

APPROXIMATE DATA

V_f		17.5	V	
I_f (approx.)		285	A	
$V_{a(max)}$		20	kV	
$P_{a(max)}$		150	kW	
$P_{g1(max)}$		8	kW	
$I_{k(pk)(max)}$		120	A	
$I_{g1(rt)(max)}$		100	A	
$f_{(max)}$	(at max. ratings)	15	Mc/s	
	(at reduced ratings)	26	Mc/s	
μ	} taken at V_a 15 kV, V_{g1} -100 V	}	45	
r_a			900	Ω
g_m			50	mA/V
C_{a-f}	} taken without water jacket	}	1.8	pF
C_{g-a}			56	pF
C_{g-f}			101	pF

(1) RF POWER AMPLIFIER AND OSCILLATOR CLASS C TELEGRAPHY

(Unmodulated key-down conditions per valve.)

Maximum permissible ratings.

V_a		20	kV
V_{g1}		-2	kV
P_a		150	kW
P_{g1}		8	kW

Typical Operation

V_a	15	20	kV
V_{g1}	-1475	-1600	V
$V_{g1(pk)}$	3475	3600	V
I_a	22.3	23.4	A
I_g (a)	4.6	4.1	A
Z_a	310	395	Ω
P_{dr} (a)	16	14.6	kW
P_a	103	144	kW
P_{out}	232	324	kW

(2) RF POWER AMPLIFIER CLASS C ANODE MODULATED

(Carrier conditions, per valve, 100% modulation.)

Maximum permissible ratings.

V_a		14	kV
V_{g1}		-2	kV
P_a		100	kW
P_{g1}		8	kW

Typical Operation

V_a	10	14	kV
V_{g1}	-1180	-1160	V
$V_{g1(pk)}$	2600	3060	V
I_a	13.5	14.3	A
I_{g1} (a)	2.7	2.5	A
Z_a	305	440	Ω
P_{dr} (a)	7	6.8	kW
P_a	43	62	kW
P_{out}	92	138	kW

NOTE

(a) Subject to wide variation.

At frequencies above 15 Mc/s the permissible anode voltage is reduced to the following % of maximum.

f	15	20	26 Mc/s
$\%V_{a(max)}$	100	87.5	72.5 %

