

SUBMINIATURE OUTPUT PENTODE

DL69

Subminiature output pentode suitable for battery operation with an h.t. supply of 90V.

FILAMENT

Suitable for d.c. operation only

V_f	1.25	V
I_f	25	mA

MOUNTING POSITION

Any

Note—Direct soldered connections to the leads must be at least 5mm from the seal and any bending of the leads must be at least 1.5mm from the seal.

CAPACITANCES (shielded)

C_{a-g1}	50	mpF
C_{in}	2.9	pF
C_{out}	3.2	pF

CHARACTERISTICS

V_a	90	V
V_{g2}	90	V
I_a	1.75	mA
I_{g2}	400	μ A
V_{g1}	-2.5	V
g_m	850	μ A/V
r_a	800	k Ω
μ_{g1-g2}	15	

OPERATING CONDITIONS AS SINGLE VALVE CLASS 'A' AMPLIFIER

V_a	67.5	90	V
V_{g2}	67.5	90	V
$I_a^{(0)}$	0.9	1.3	mA
$I_{g2}^{(0)}$	200	300	μ A
V_{g1}	-2.0	-3.0	V
R_a	70	60	k Ω
$V_{in(r.m.s.)}$	1.2	1.6	V
P_{out}	23	50	mW
D_{tot}	10	10	%

DL69

SUBMINIATURE OUTPUT PENTODE

Subminiature output pentode suitable for battery operation with an h.t. supply of 90V.

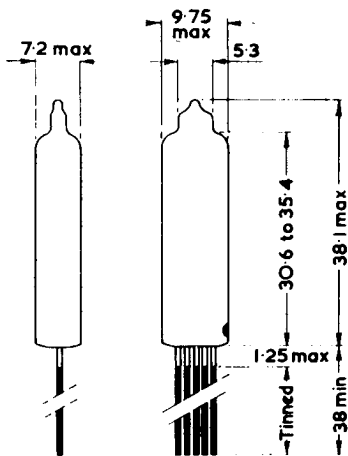
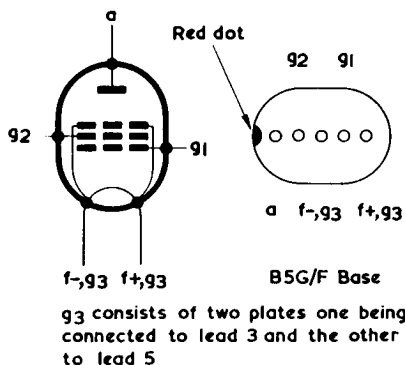
OPERATING CONDITIONS FOR TWO VALVES IN CLASS 'AB' PUSH-PULL

V_{a-e}	90	V
V_{g2-e}	90	V
$I_{a(0)}$	2×800	μA
I_a (max. sig.)	2×1.0	mA
$I_{g2(0)}$	2×150	μA
I_{g2} (max. sig.)	2×425	μA
R_k	1.8	k Ω
R_{a-a}	100	k Ω
$V_{in(g1-g1)r.m.s.}$	8.0	V
P_{out}	100	mW
D_{tot}	5.0	%

LIMITING VALUES

V_a max.	90	V
V_{g2} max.	90	V
I_k max.	2.5	mA

2927



All dimensions in mm