

SUBMINIATURE R.F. PENTODE

DF60

Subminiature sharp cut-off r.f. pentode
for use in battery-operated equipment.

FILAMENT

Suitable for d.c. operation only.

V_f	1.25	V
I_f	50	mA

MOUNTING POSITION

Any

Note – Direct soldered connections to the leads of this valve must be at least 5mm from the seal and any bending of the valve leads must be at least 1.5mm from the seal.

CAPACITANCES

C_{a-g1}	< 0.01	pF
C_{in}	3.7	pF
C_{out}	4.6	pF

CHARACTERISTICS

V_a	45	67.5	V
V_{g2}	45	67.5	V
V_{g1}	0	0	V
R_{g1}	5.0	5.0	M Ω
I_a	0.8	1.8	mA
I_{g2}	220	480	μ A
g_m	0.82	1.1	mA/V
r_a	1.2	1.0	M Ω
V_{g1} ($g_m = 10 \mu$ A/V)	-3.0	-4.0	V
R_{in} ($f = 50$ Mc/s)	-	34.5	k Ω
R_{eq}	-	8.2	k Ω

OPERATING CONDITIONS AS A FREQUENCY CHANGER

V_a	45	67.5	V
V_{g2}	45	67.5	V
R_{g1}	100	100	k Ω
I_a	0.56	1.06	mA
I_{g2}	150	300	μ A
$V_{osc(r.m.s.)}$	3.0	4.0	V
I_{g1}	33	40	μ A
g_c	270	320	μ A/V
g_m (eff)	320	400	μ A/V
r_a	1.6	1.46	M Ω

DF60

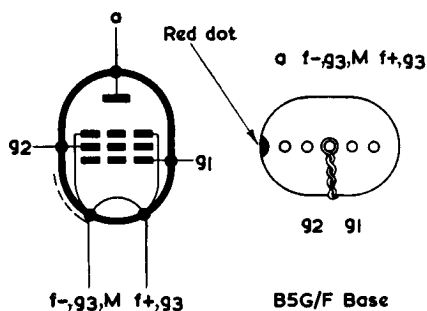
SUBMINIATURE R.F. PENTODE

*Subminiature sharp cut-off r.f. pentode
for use in battery-operated equipment.*

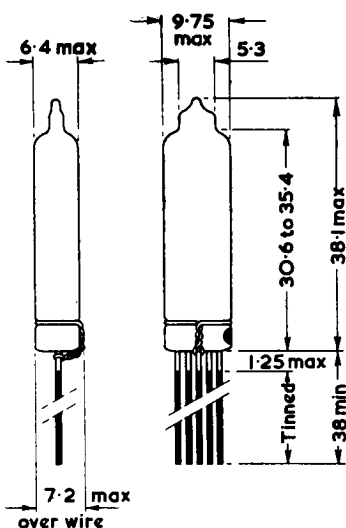
LIMITING VALUES

V_a max.	90	V
V_{g2} max.	67.5	V
I_k max.	4.0	mA

2926



g_3 consists of two plates one being connected to lead 3 and the other to lead 5



All dimensions in mm