

TUNG-SOL

CATHODE RAY

COATED UNIPOTENTIAL CATHODE

HEATER

6.3 VOLTS 0.6 AMPERE

AC OR DC

ANY MOUNTING POSITION

THE 7JP4 IS A DIRECTLY VIEWED PICTURE TUBE INTENDED FOR USE IN LOW COST TELEVISION RECEIVERS. IT IS ALSO SUITABLE FOR OSCILLOGRAPH APPLICATIONS. IT HAS A HIGH-EFFICIENCY, WHITE FLUORESCENT SCREEN AND USES ELECTROSTATIC FOCUS AND ELECTROSTATIC DEFLECTION TO PROVIDE PICTURES 4"x5 1/2" SIZE.

DESCRIPTION

FLUORESCENCE	WHITE
PERSISTENCE	MEDIUM
DEFLECTION METHOD	ELECTROSTATIC
FOCUSING METHOD	ELECTROSTATIC

DIRECT INTERELECTRODE CAPACITANCES - APPROX.

CATHODE TO ALL OTHER ELECTRODES: K TO (H+G ₁ +G ₂ +P ₂ +P ₁ +DJ ₁ +DJ ₂ +DJ ₃ +DJ ₄ +IC)	9.5	μf
GRID #1 TO ALL OTHER ELECTRODES: G ₁ TO (H+K+G ₂ +P ₂ +P ₁ +DJ ₁ +DJ ₂ +DJ ₃ +DJ ₄ +IC)	8.5	μf
DJ ₁ TO DJ ₂	3.5	μf
DJ ₃ TO DJ ₄	2.0	μf
DJ ₁ TO ALL OTHER ELECTRODES: DJ ₁ TO (H+K+G ₁ +G ₂ +P ₂ +P ₁ +DJ ₂ +DJ ₃ +DJ ₄ +IC)	11.0	μf
DJ ₂ TO ALL OTHER ELECTRODES: DJ ₂ TO (H+K+G ₁ +G ₂ +P ₂ +P ₁ +DJ ₁ +DJ ₃ +DJ ₄ +IC)	11.0	μf
DJ ₃ TO ALL OTHER ELECTRODES: DJ ₃ TO (H+K+G ₁ +G ₂ +P ₂ +P ₁ +DJ ₁ +DJ ₂ +DJ ₄ +IC)	8.0	μf
DJ ₄ TO ALL OTHER ELECTRODES: DJ ₄ TO (H+K+G ₁ +G ₂ +P ₂ +P ₁ +DJ ₁ +DJ ₂ +DJ ₃ +IC)	8.0	μf

RATINGS

INTERPRETED ACCORDING TO RMA STANDARD MB-210

HEATER VOLTAGE	6.3	VOLTS
MAXIMUM ANODE #2 AND GRID #2 VOLTAGE	6 000	VOLTS
MAXIMUM ANODE #1 VOLTAGE	2 800	VOLTS
MAXIMUM GRID #1 VOLTAGE:		
NEGATIVE BIAS VOLTAGE	200	VOLTS
POSITIVE BIAS VOLTAGE	0	VOLTS
POSITIVE PEAK VOLTAGE	2	VOLTS
MAXIMUM PEAK VOLTAGE BETWEEN ANODE #2 AND ANY DEFLECTING ELECTRODE	750	VOLTS
MAXIMUM PEAK-HEATER CATHODE VOLTAGE:		
HEATER NEGATIVE WITH RESPECT TO CATHODE:		
DURING EQUIPMENT WARM-UP PERIOD NOT EXCEEDING 15 SECONDS	410	VOLTS
AFTER EQUIPMENT WARM-UP PERIOD	125	VOLTS
HEATER POSITIVE WITH RESPECT TO CATHODE	125	VOLTS

CONTINUED ON FOLLOWING PAGE

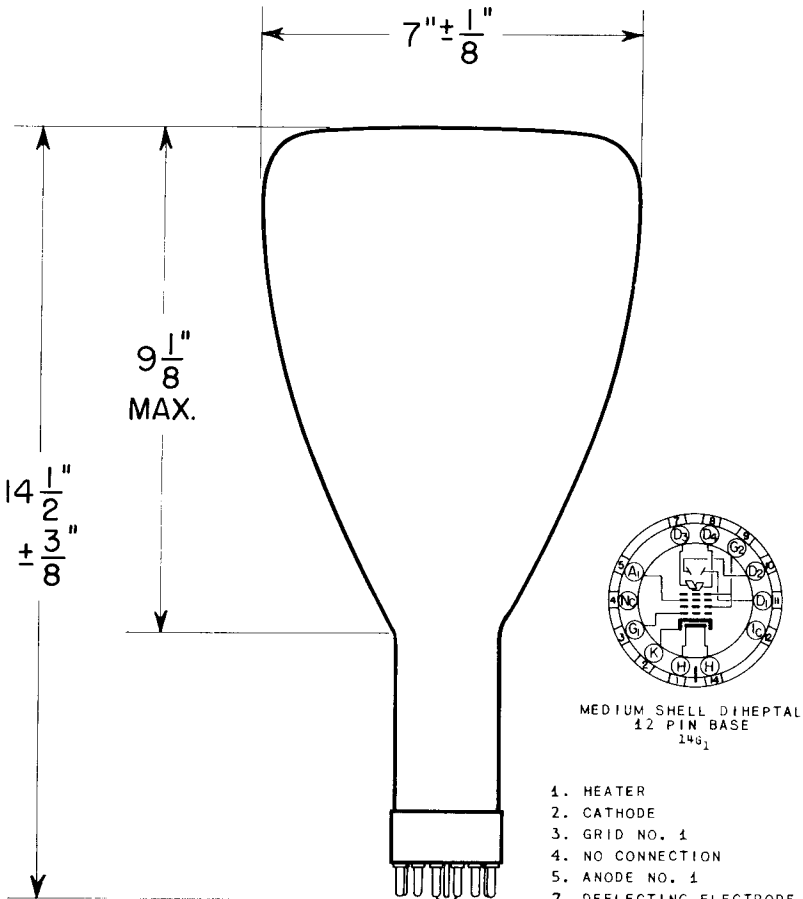
TUNG-SOL

CONTINUED FROM PRECEDING PAGE

TYPICAL OPERATING CONDITIONS AND CHARACTERISTICS

ANODE #2 VOLTAGE	6 000	VOLTS
ANODE #1 VOLTAGE FOR FOCUS (APPROX.)	2 000	VOLTS
GRID #1 VOLTAGE FOR VISUAL CUT-OFF (APPROX.)	-120	VOLTS
DEFLECTION FACTORS:		
DJ ₁ AND DJ ₂ (APPROX.)	216	VOLTS DC/IN.
DJ ₃ AND DJ ₄ (APPROX.)	177	VOLTS DC/IN.
MAXIMUM GRID #1 CIRCUIT RESISTANCE	1.5	MEGOHMS
MAXIMUM RESISTANCE IN ANY DEFLECTING-ELECTRODE ^A CIRCUIT	5	MEGOHMS

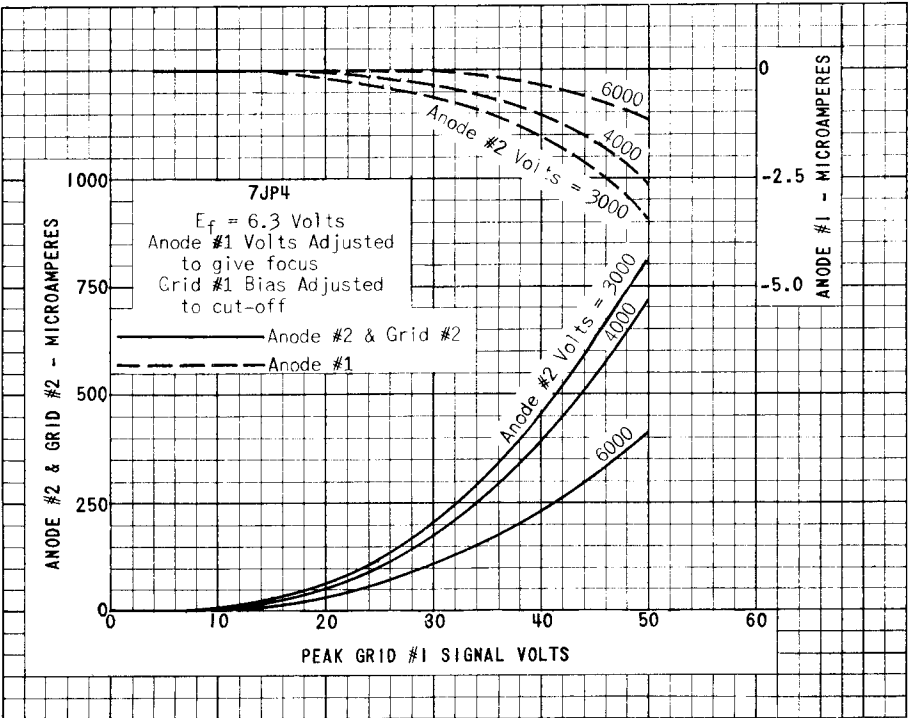
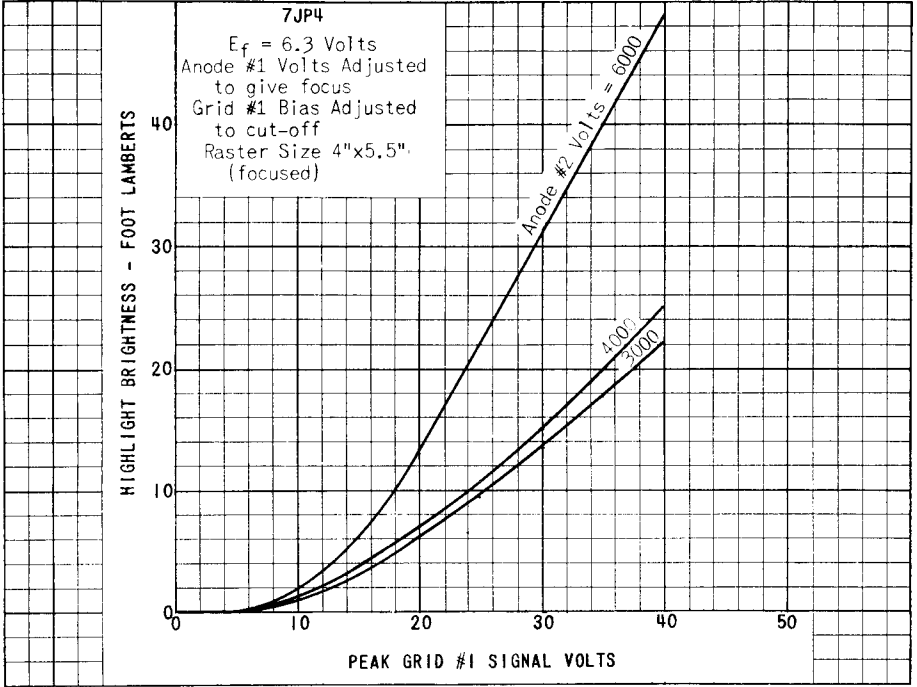
^A IT IS RECOMMENDED THAT THE DEFLECTING-ELECTRODE-CIRCUIT RESISTANCES BE APPROXIMATELY EQUAL.



MEDIUM SHELL DIHEPTAL
12 PIN BASE
1461

1. HEATER
2. CATHODE
3. GRID NO. 1
4. NO CONNECTION
5. ANODE NO. 1
7. DEFLECTING ELECTRODE DJ₃
8. DEFLECTING ELECTRODE DJ₄
9. GRID NO. 2, ANODE NO. 2
10. DEFLECTING ELECTRODE DJ₂
11. DEFLECTING ELECTRODE DJ₁
12. INTERNAL CONNECTION
14. HEATER

PLATE
2194
MAY 2
1949



PRINTED IN U. S. A.

PLATE 2195
 MAY 2 1949