

ESU77

HALF-WAVE HIGH VACUUM RECTIFIER

GENERAL

The ESU.77 is a directly heated Thoriated Tungsten filament high voltage half-wave rectifier employing a tantalum anode.

RATING

Filament Voltage (volts)	V_f	4
Filament Current (amps)	I_f	12
Maximum Peak Inverse Voltage (kV)	P. I. V. max.	40
Maximum Peak Anode Current for Rectifier and Diode charging conditions (amps)	$I_a(pk)max.$	1.1
Maximum Anode Dissipation (watts)	P_a	130
Nominal Internal Resistance at 300 mA (ohms)		600

DIMENSIONS

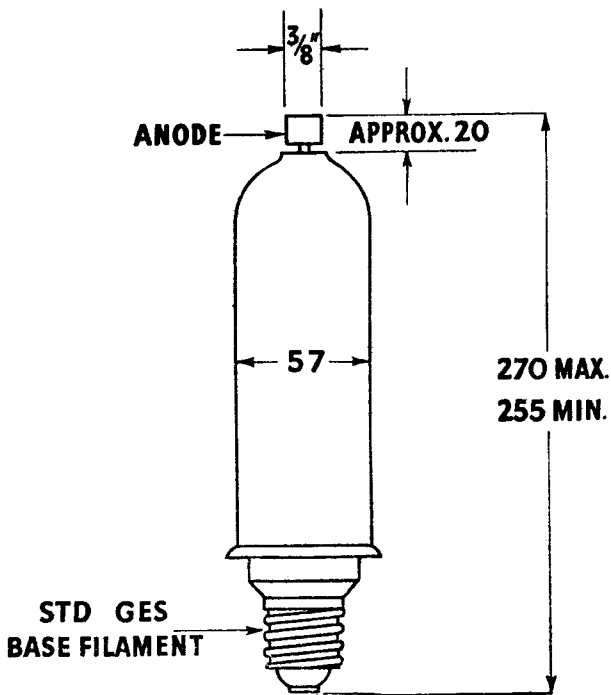
Maximum Overall Length (mm)	270
Maximum Diameter (mm)	61

BASE - G.E.S.

MOUNTING POSITION - Vertical

ESU77

HALF-WAVE HIGH VACUUM RECTIFIER



HARD GLASS BULB

All dimensions in mm. unless stated otherwise.