

ESA5000
FORCED AIR COOLED TRIODE
 (Previously EHA.5000)

GENERAL

The ESA5000 is a three electrode valve designed for use as a ←
 Radio Frequency Amplifier or Oscillator. The anode is fitted
 with a special radiator and cooling is obtained by forced air.
 The design minimises lead inductance and this valve is particu-
 larly suitable for use in R.F. heating equipments. It is
 the direct equivalent of the American type 889R.

RATING

Filament Voltage (volts)	V_f	11.0
Filament Current (amps)	I_f	125
Maximum Anode Voltage (volts)	$V_a(\text{max})$	8,500
Maximum Filament Emission (amps)	F_{em}	9 ←
Maximum Anode Dissipation (kW)	$W_a(\text{max})$	5.0
Mutual Conductance (mA/V)	g_m	* 10
Amplification Factor	μ	* 20
Anode Impedance (ohms)	r_a	* 2,000
Maximum Operating Frequency at full rating		† 25 Mc/s

* Taken at $V_a = 5,000\text{v}$; $I_a = 1,000\text{mA}$.

† At higher frequencies the maximum permissible
 anode voltages and inputs must be reduced.

INTER-ELECTRODE CAPACITANCES

Anode/Grid ($\mu\mu\text{F}$)	C_{a-g1}	20.7
Anode/Filament ($\mu\mu\text{F}$)	C_{a-f}	2.5
Grid/Filament ($\mu\mu\text{F}$)	C_{g1-f}	19.5

AIR FLOW (MAIN)

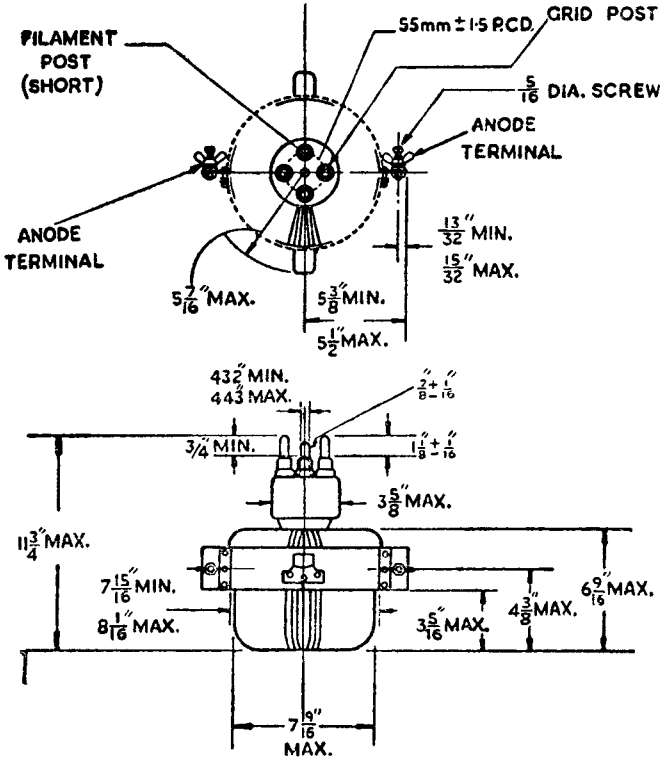
500 cubic feet per minute. In addition, 15 cubic feet per
 minute should be directed on to the seals.

DIMENSIONS

Maximum Overall Length (mm)	298.5
Maximum Diameter (mm)	192.0
Approximate Nett Weight (lbs)	34.0
Approximate Packed Weight (lbs)	72.0

MOUNTING POSITION—Vertical.

ESA5000
FORCED AIR COOLED TRIODE
 (Previously EHA.5000)

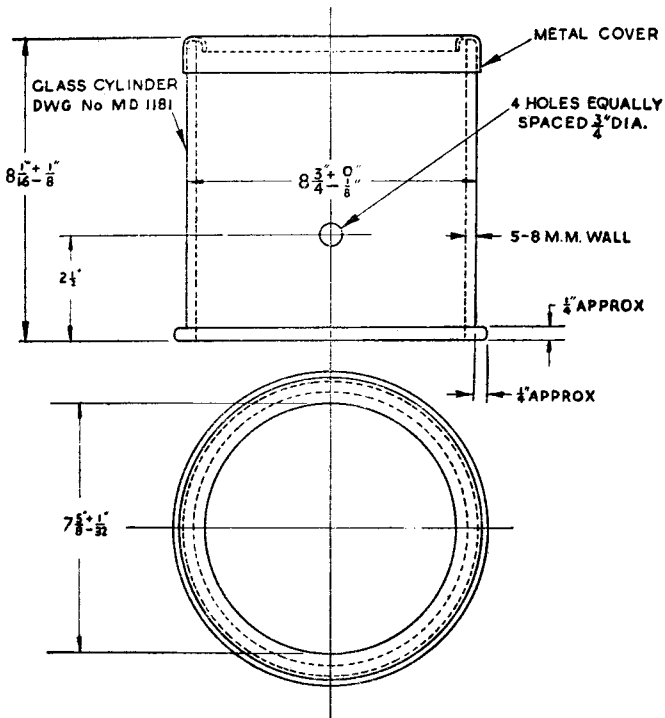


LIFTING HANDLES IN LINE WITH FIL. PINS

ALL DIMS IN ins UNLESS
 STATED OTHERWISE

ESA5000
FORCED AIR COOLED TRIODE

SUPPORT TYPE G.C.4.

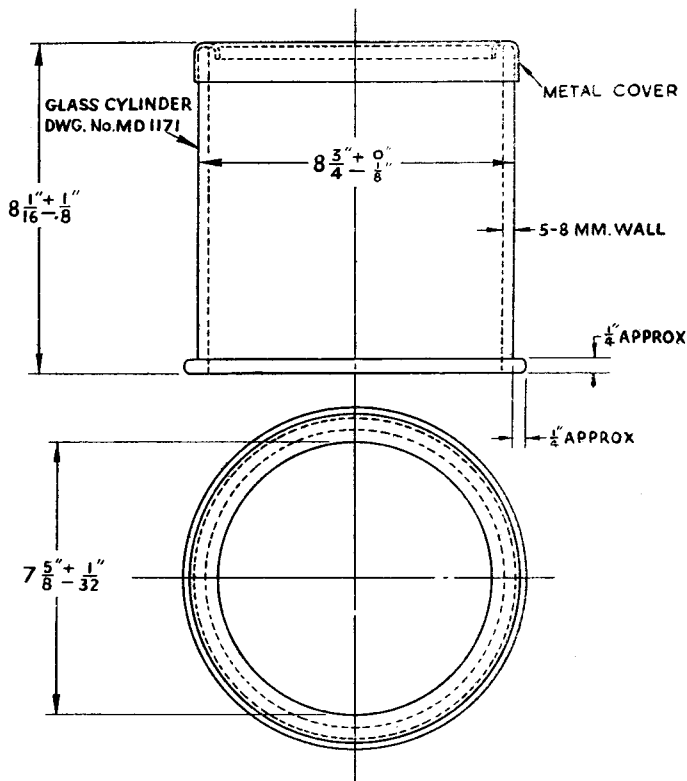


NOTE THIS SUPPORT IS USED WHEN VALVE IS OPERATED
IN AN INVERTED POSITION

ALL DIMS IN ins UNLESS
STATED OTHERWISE

ESA5000
FORCED AIR COOLED TRIODE

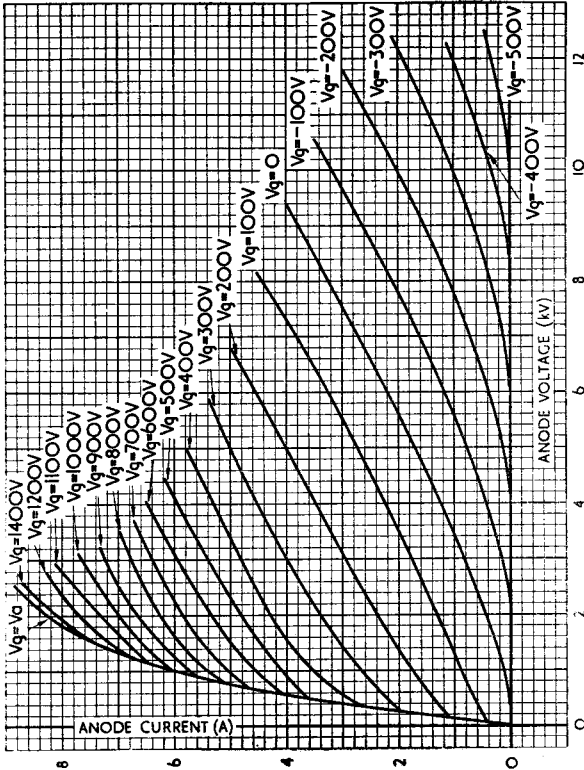
SUPPORT TYPE G.C.3.



ALL DIMS. IN ins UNLESS
STATED OTHERWISE

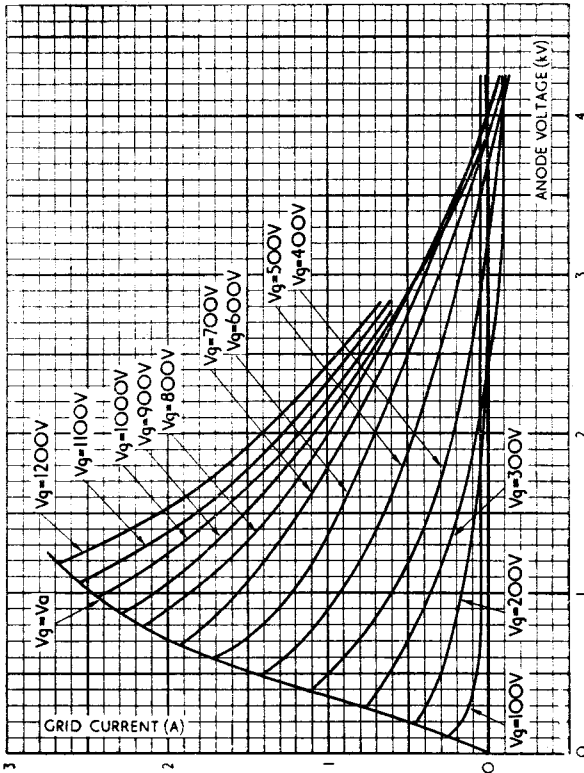
ESA5000
FORCED AIR COOLED TRIODE
 (Previously EHA5000)

AVERAGE CHARACTERISTIC CURVES: I_a/V_a
 ($V_f=11$ Volts A.C.)



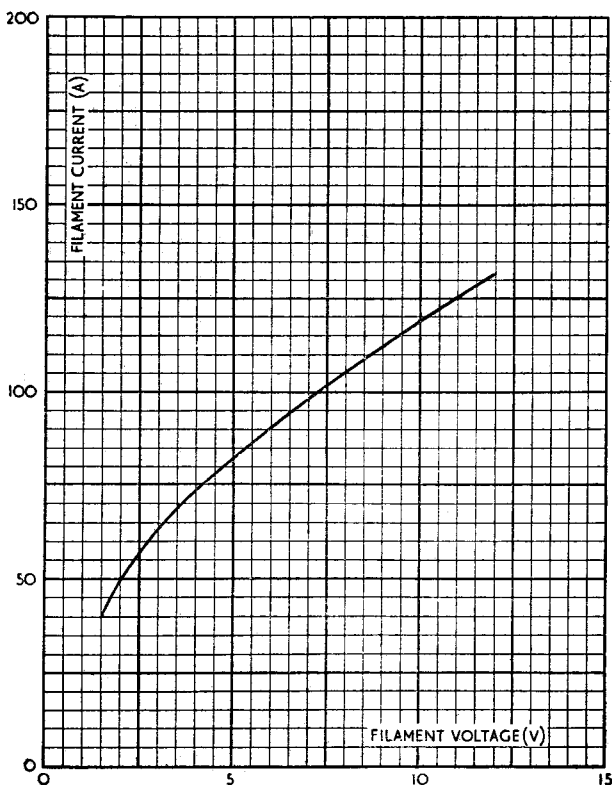
ESA5000
FORCED AIR COOLED TRIODE
(Previously EHA5000)

CHARACTERISTIC CURVES: I_g/V_a
($V_f=11$ Volts A.C.)



ESA5000
FORCED AIR COOLED TRIODE
(Previously EHA5000)

AVERAGE CHARACTERISTIC CURVE: I_f/V_f
(Cold resistance = 0.0003 Ω)





ESA5000
FORCED AIR COOLED TRIODE
(Previously EHA5000)

CHARACTERISTIC CURVE: I_{em}/V_f

