

ES833

RADIATION COOLED TRIODE

GENERAL

The ES.833 is a high mu triode particularly suitable for use as an R.F. Power Amplifier, Oscillator or Class B modulator.

The anode and grid connections are brought out at the top and are taken through metal to glass seals to heavy current terminals. As a result of this construction the valve is exceptionally efficient at higher radio frequencies and may be operated under class 'C' CW conditions at a maximum input of 1.8 kW at frequencies up to 30Mc/s, with forced air cooling. At reduced input rating it is possible to operate the valve as high as 75Mc/s.

RATING

Filament Voltage (volts)	V_f	10.0
Filament Current (ampe)	I_f	10.0
Maximum Anode Voltage (volts)	$V_a(\max)$	3,000
Maximum Anode Dissipation (watts)	$W_a(\max)$	300
Amplification Factor	μ	35
Maximum Operating Frequency at Full Rating		30 Mc/s

- The Maximum Anode Voltage may be increased to 4,000v, and the Anode dissipation to 400w providing the valve is forced-air cooled at a rate of 40 cu.ft./min., on top of bulb between anode and grid seals, directed through a 2" nozzle.

§ At higher frequencies the maximum permissible anode voltages and inputs must be reduced.

INTER-ELECTRODE CAPACITANCES

Anode/Grid ($\mu\mu\text{F}$)	C_{a-g1}	6.3
Anode/Filament ($\mu\mu\text{F}$)	C_{a-f}	8.5
Grid/Filament ($\mu\mu\text{F}$)	$g1-f$	12.3

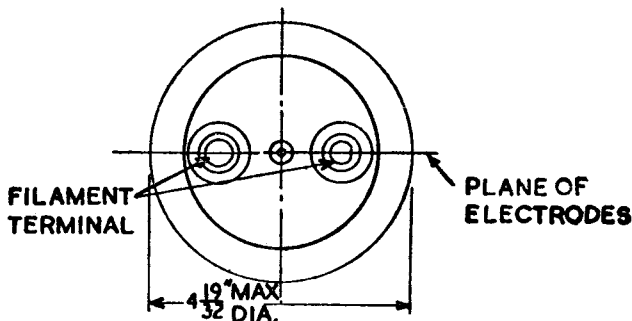
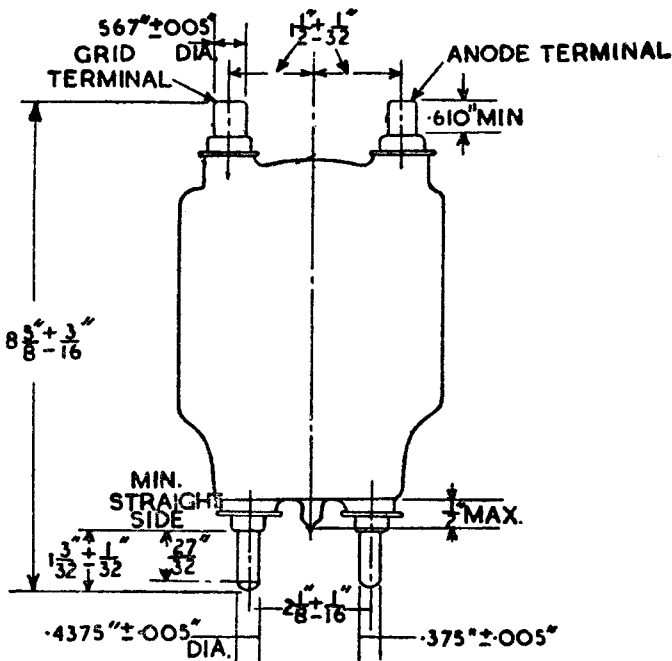
DIMENSIONS

Maximum Overall Length	8.812 ins	: 224 mm
Maximum Diameter	4.594 ins	: 116 mm
Approximate Nett Weight (lbs)		1
Approximate Packed Weight (lbs)		3½

MOUNTING POSITION - Vertical

ES833

RADIATION COOLED TRIODE

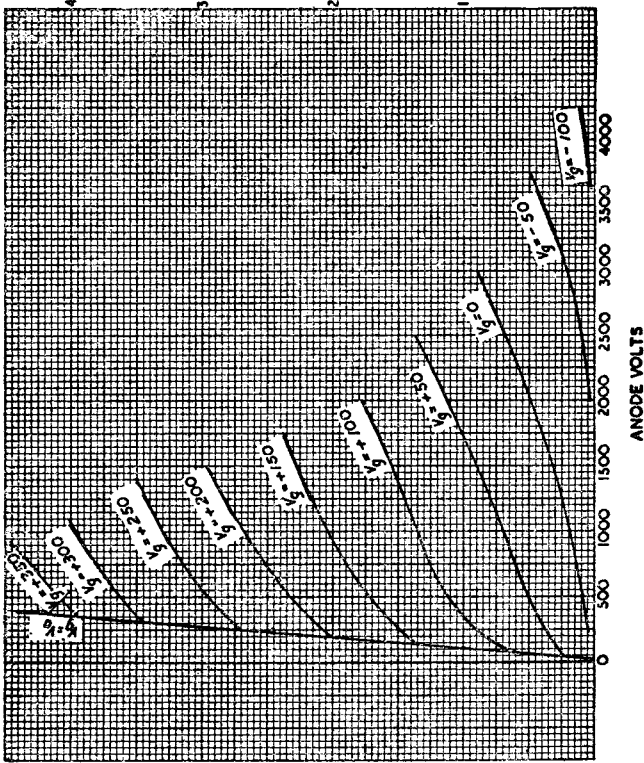


ES833

RADIATION COOLED TRIODE

AVERAGE CHARACTERISTIC CURVES

ANODE CURRENT IN AMPS



ES833

RADIATION COOLED TRIODE

AVERAGE CHARACTERISTIC CURVES : I_g/V_a

