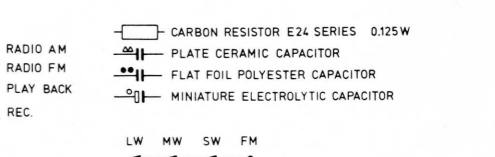
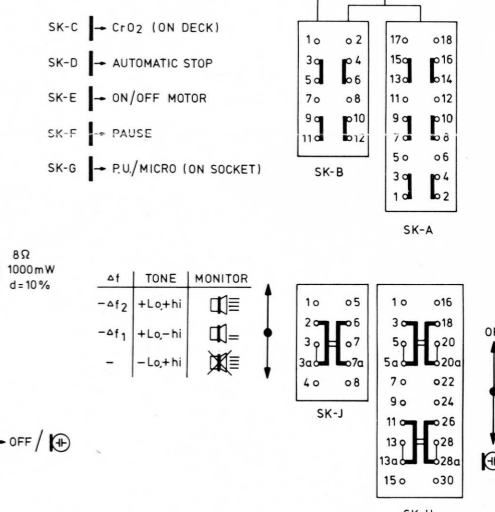
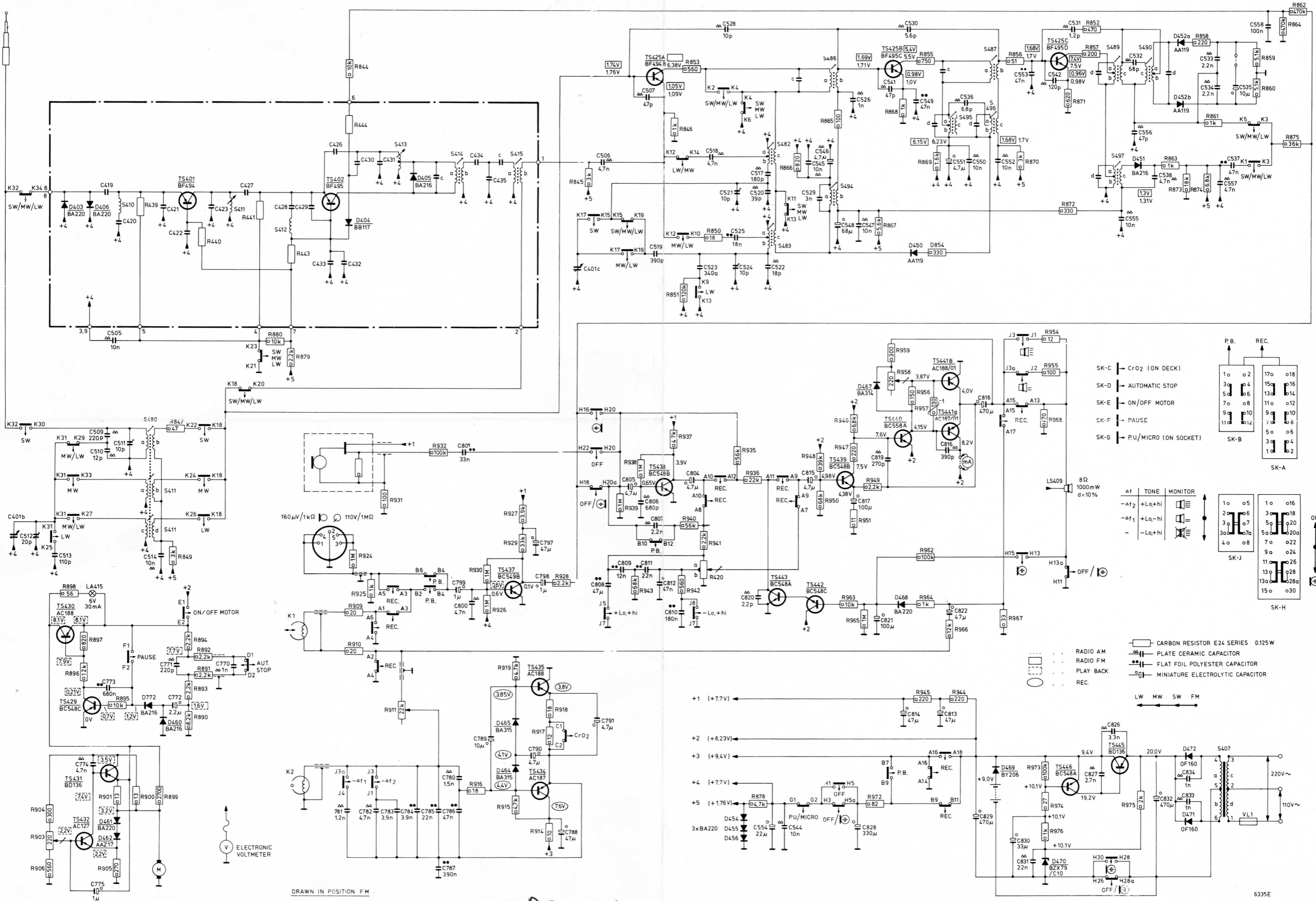


MISC	D403	D406	TS401		TS402 D404		D405		TS437, D464, 465 TS434, 435		TS429A	D454...456 TS443		TS442	TS439	D467	TS425B D450	TS441A, B	TS425C	D451	D452A, B		MISC			
TS430, 429, 431, 432	LA415	D462, 772, M, D460	K1, 2		411		412		413		414	415	416	417	418	419	420	421	422	423	424	425	426	427		
509, 419, 505, 420	421	422	423	427	428	429	433, 426, 432, 430	431	434	435	401	506	507	519	523, 518, 521	528	525, 524, 520, 517, 522	529, 545, 546, 548, 526, 547	541	530	549	495	487	496		
401b, 512	513	774	775, 510, 773, 511	514, 771, 772	770	781	782	783	784	785, 786, 780, 787, 799	801, 789	790, 797, 798	788	795, 808	809, 805, 806, 811, 807, 812, 810, 804	820	554, 544	815	867, 958, 868	959, 956, 855, 869, 854, 957	814	813, 816	822	829		
903, 904, 906, 996	998	901, 905, 895, 900	899, 847, 849, 890	894	440	441, 880	879, 443	444, 844	909, 910, 924, 925	931, 911	932	930, 916, 926, 919, 915, 927, 929, 917, 914, 918, 928	939, 938, 943	937, 942, 940, 420, 941	935	936	878	948, 950	946, 947, 951, 963, 965, 949, 972	962, 964, 945, 966, 944	967, 973, 974	968, 976	975	407		
																									533, 534, 557, 535, 537, 558	
																										555, 532, 556
																										832, 834, 833
																										860, 859, 864, 875, 862



SUBJECT TO MODIFICATION

RR 454