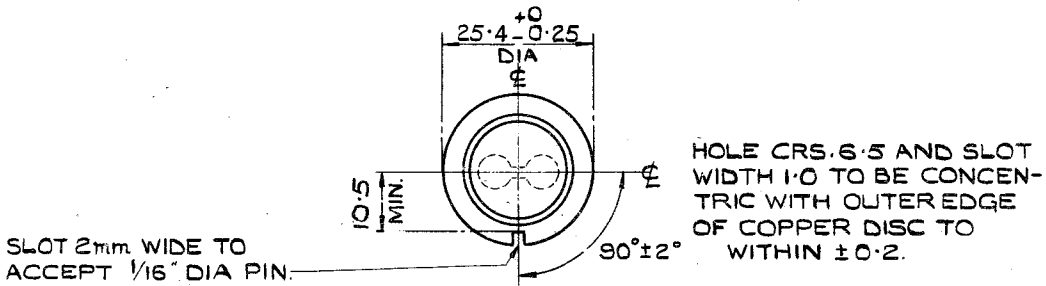
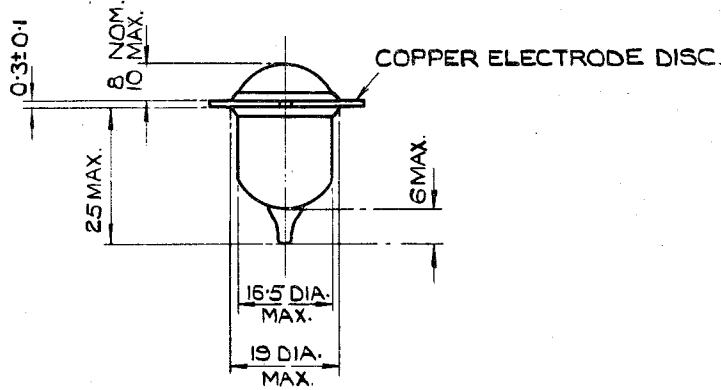


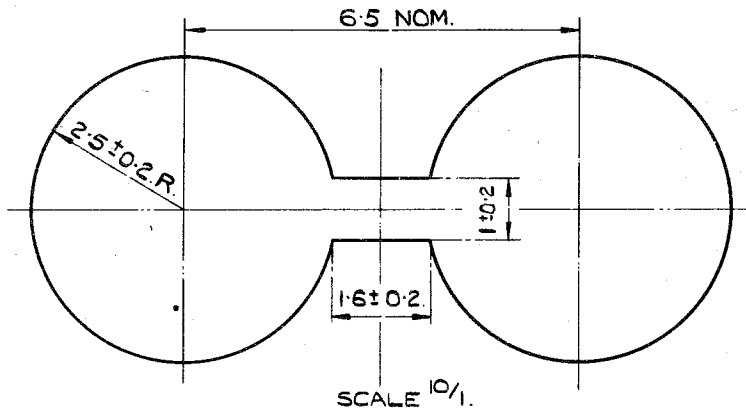
Specification MAP/CV115/Issue 4 Dated 8.1.46. To be read in conjunction with K1001 ignoring clauses:- 5.2, 5.8.	<u>SECURITY</u>	
	<u>Specification</u> RESTRICTED	<u>Valve</u> RESTRICTED

—→ Indicates a change

<u>TYPE OF VALVE</u> :- Gas filled auxiliary spark gap. <u>PROTOTYPE</u> :- E.1415.	<u>MARKING</u> See K1001/4
<u>REQUIREMENTS</u> <u>Gas Filling</u> - Argon at a pressure equivalent to 70 cms. of mercury. <u>Copper parts</u> - The internal and external copper parts must be carefully cleaned with acid.	<u>BASE</u> None
<u>Resonant frequency</u> - - The nominal frequency on which the spark gap will operate is 3.2 cm.	<u>DIMENSIONS</u> See drawing on page 2.



DETAIL OF HOLE PUNCHED OUT OF COPPER DISC.
THESE DIMENSIONS APPLY BEFORE THE DISC IS SEALED INTO THE BULB.



ALL DIMENSIONS IN MILLIMETRES UNLESS OTHERWISE STATED.