

MINISTRY OF SUPPLY (S.R.D.E.)

Specification: MOS/CV96/Issue 3 Dated:- 12.10.48. To be read in conjunction with K1001 ignoring clause 5.8.	<table border="1"> <tr> <th colspan="2" style="text-align: center;"><u>SECURITY</u></th> </tr> <tr> <td style="text-align: center;"><u>Specification</u></td> <td style="text-align: center;"><u>Valve</u></td> </tr> <tr> <td style="text-align: center;">Restricted</td> <td style="text-align: center;">Unclassified</td> </tr> </table>	<u>SECURITY</u>		<u>Specification</u>	<u>Valve</u>	Restricted	Unclassified
<u>SECURITY</u>							
<u>Specification</u>	<u>Valve</u>						
Restricted	Unclassified						

→ indicates a change

<p><u>TYPE OF VALVE</u>:- Power measurement lamp.</p> <p><u>CATHODE</u>:- Tungsten</p> <p><u>ENVELOPE</u>:- Glass - unmetallised</p> <p><u>PROTOTYPE</u>:- R3/16</p>	<p style="text-align: center;"><u>MARKING</u></p> <p style="text-align: center;">See K1001/4 and Fig. 1</p>	
<p style="text-align: center;"><u>RATING</u></p> <p>Cold resistance (measured at 4 mA on CV95 test circuit) (ohms)</p> <p>"Just glowing" wattage dissipation (mW)</p> <p>Max. permissible operating wattage</p> <p>Current when "just glowing" (mA)</p> <p>Voltage when "just glowing" (V)</p> <p>Resistance of "just glowing" filament (ohms)</p> <p>Resistance of filament at max. permissible operating wattage (ohms)</p>	<p style="text-align: center;">Range</p> <p>2.0 - 8.0</p> <p>13 - 22</p> <p>Twice wattage dissipation when "just glowing".</p> <p>29 - 54</p> <p>0.35 - 0.56</p> <p>7.0 - 12.0</p> <p>11.5 - 15.5</p>	<p style="text-align: center;">Direct Averages on Initial Samples</p> <p>3.5.</p> <p>44</p> <p>0.43</p> <p>8.8</p> <p>13.7</p>
<p style="text-align: center;"><u>NOTE</u></p> <p>A. It will be noted from these ratings that voltage and current limits are not both reached in any one lamp.</p>	<p style="text-align: center;"><u>DIMENSIONS AND CONNECTIONS</u></p> <p style="text-align: center;">See Fig. 1.</p>	

TESTS

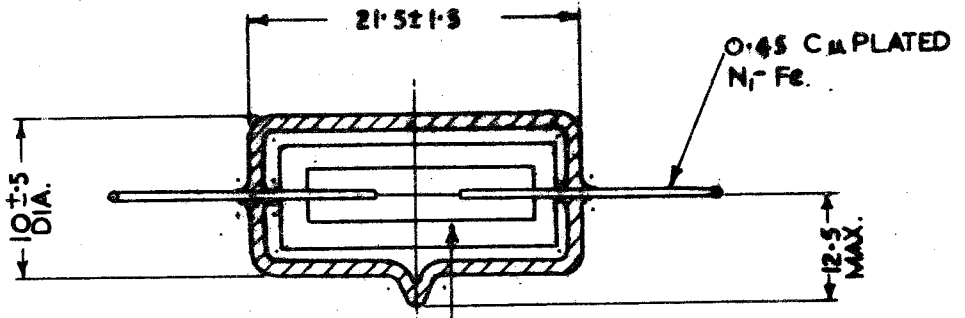
To be performed in addition to those applicable in K1001

	Test Conditions	Test	Limits		No. Tested
			Min.	Max.	
a	Filament "just glowing" (Note 1)	Dissipation (mW)	13	22	100%

NOTE

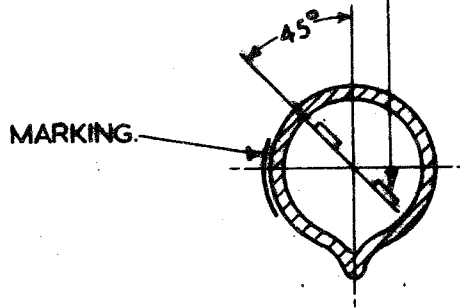
1. The power measurement lamp to be enclosed in a light-tight box and viewed through a spy tube, under normal room lighting conditions.

FIG. 1.



FILAMENT LEADS TO BE NOT LESS THAN 3 C/MS LONG.

MICA BRIDGE.



CROSS -SECTION THROUGH LAMP.

ALL DIMENSIONS ARE IN MILLIMETRES.